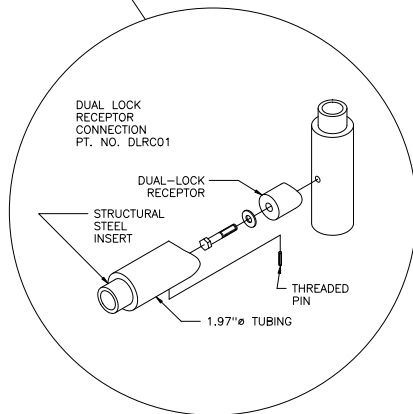


HARBOR MASTER

AVAILABLE FROM 1 TO 8
HORIZONTAL RAILS.



SERIES:	CLASSIC	DATE:	1/16/02
MODEL:	HARBOR MASTER	DRWG. NO.	0000
DESC:	0	REV. NO.	0
PROJECT:	0	DRAWN BY:	R.N.C.
PHONE (732) 286-9496		MANUFACTURED BY: AVCON	
		FAX (732) 286-0526	

PROPRIETARY NOTE:
ANY INFORMATION DISCLOSED HEREIN IS FURNISHED FOR EVALUATION PURPOSES ONLY AND SHALL NOT BE USED OR DISCLOSED EXCEPT AS SPECIFIED BY CONTRACT BETWEEN THE RECIPIENT AND AVCON INC.