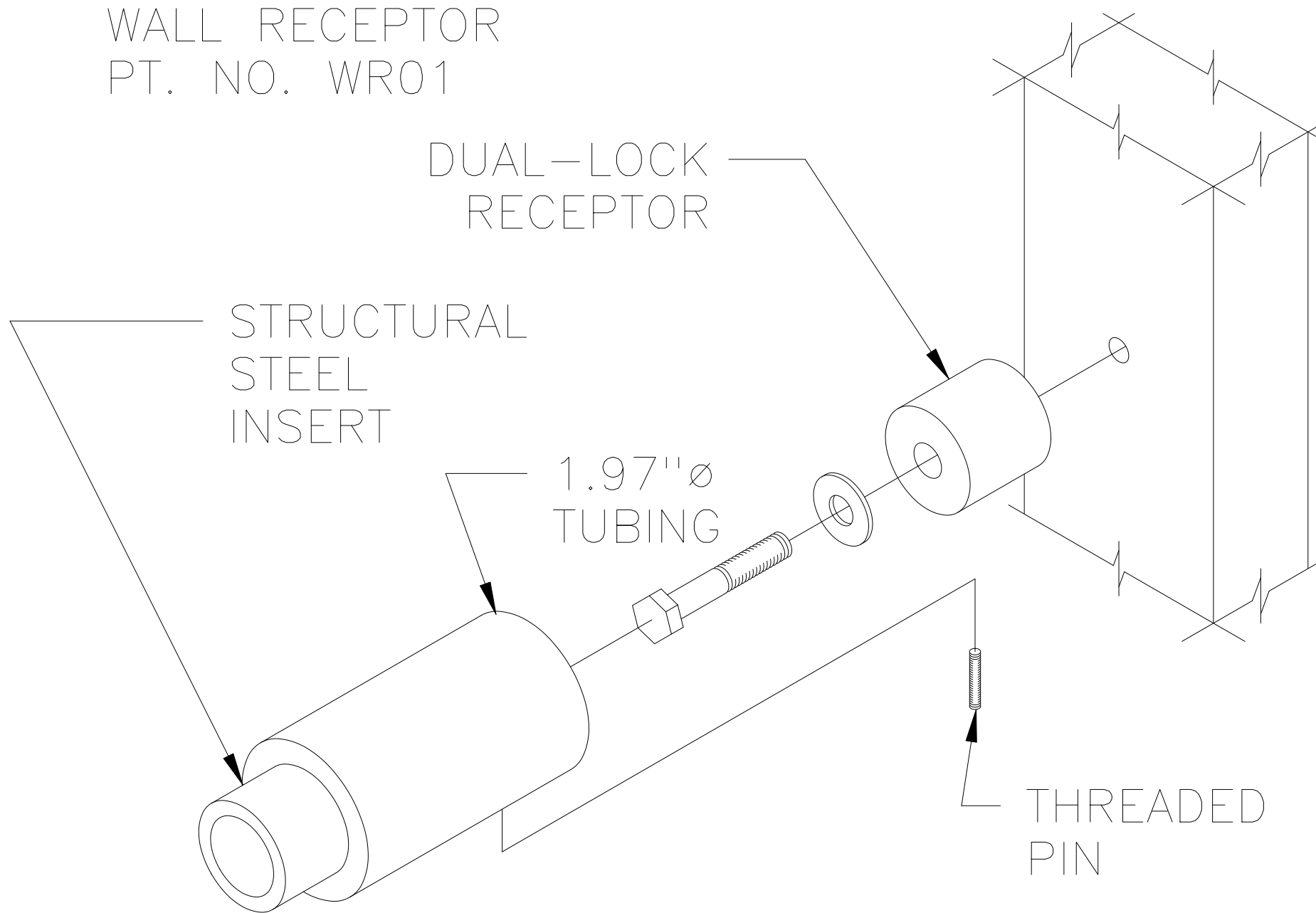


WALL RECEPTOR
PT. NO. WR01



WALL MOUNT