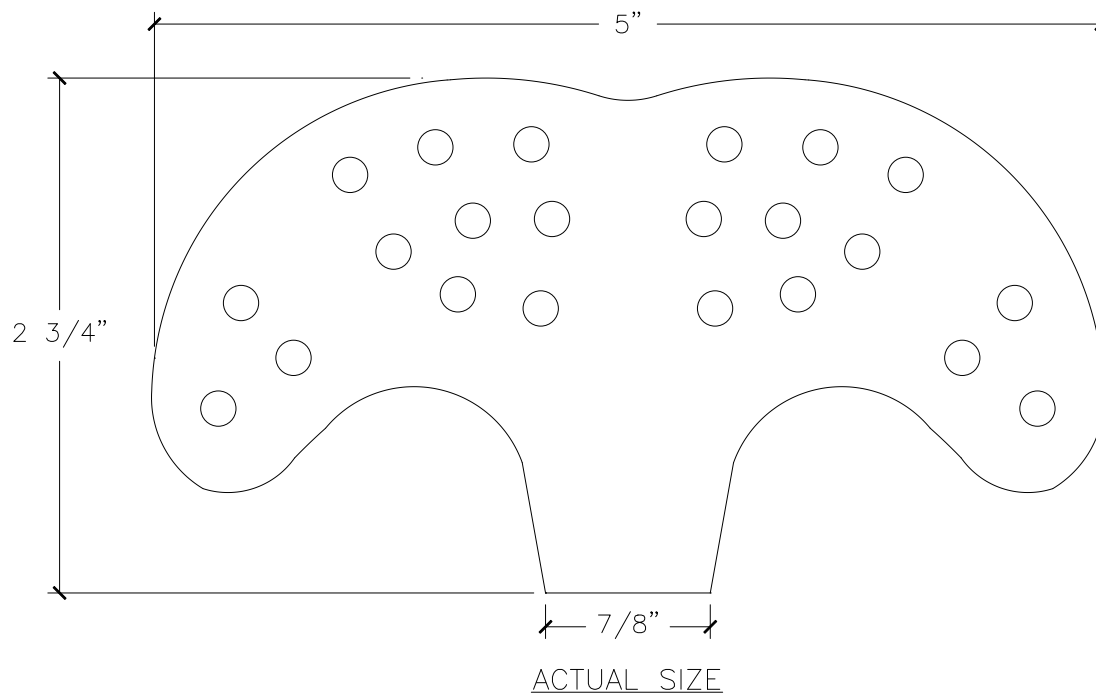
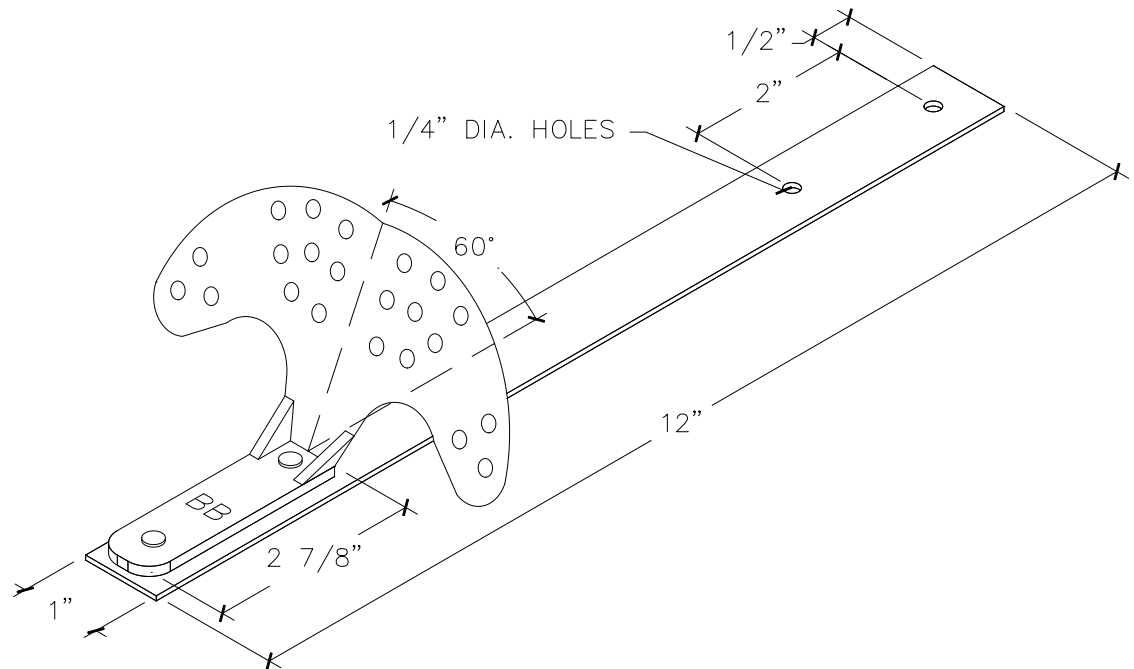


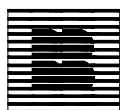
RESIDENTIAL SNOW GUARDS

No. 2 ASSEMBLY for SLATE ROOF



AVAILABLE MATERIALS: GALVANIZED MALLEABLE IRON

INFORMATION: A DURABLE, PLATED IRON CASTING AND BAR ASSEMBLY DESIGNED FOR SLATE ROOFS. THE RIVETED STEEL BAR IS 1/8" x 1" x 12" LONG AND GOES 8" UNDER THE SLATE AND BETWEEN THE SLATE COURSE. IT IS NORMALLY INSTALLED WITH THE SLATE ROOF APPLICATION. ALSO SUITED FOR WOOD SHAKE, TILE AND MINERAL SURFACED SHINGLES. EXCELLENT IN AREAS THAT RECEIVE HEAVY SNOWS!



BERGER BROS CO.