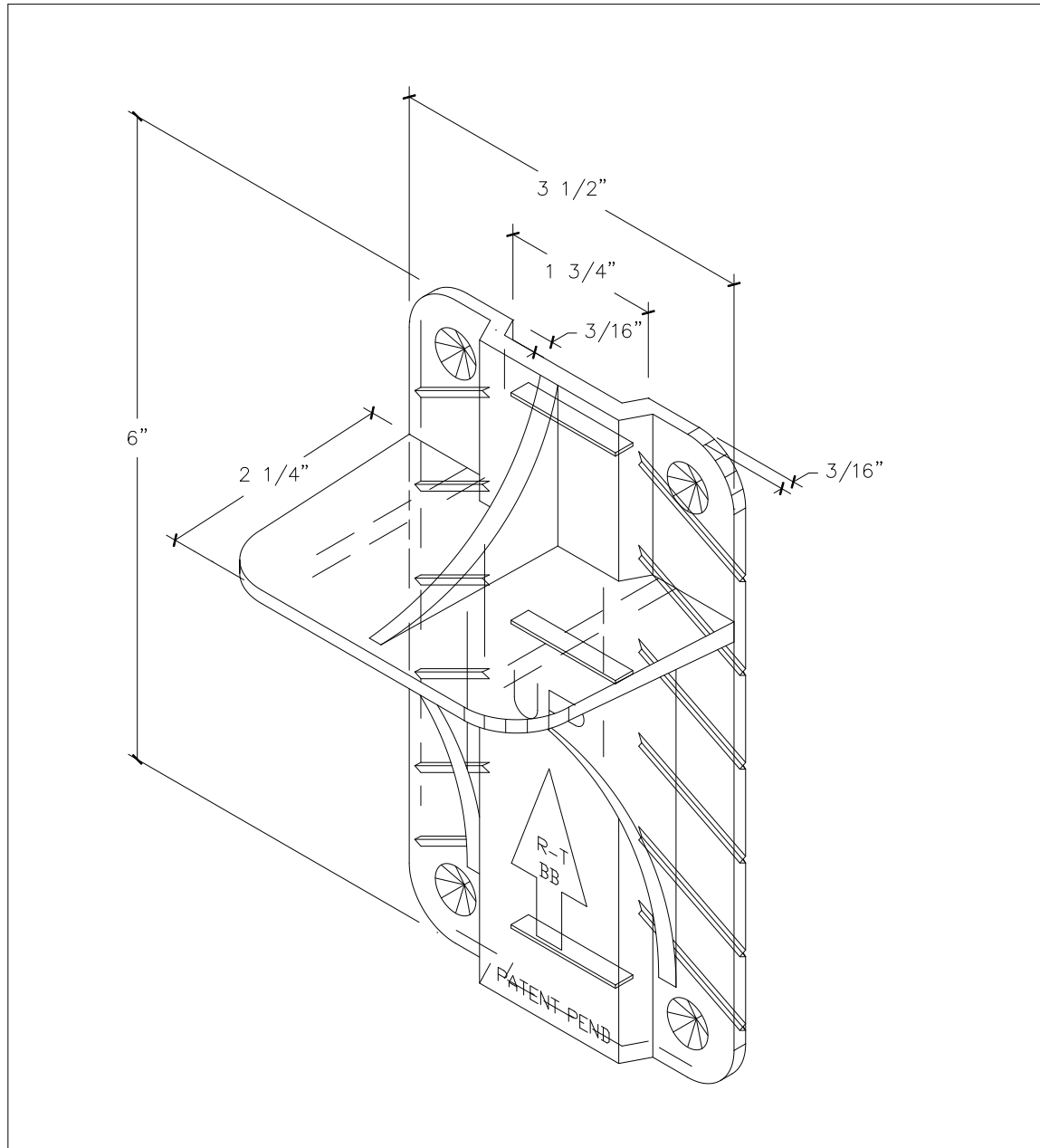


COMMERCIAL SNOW GUARDS CL SNOW GUARD (STRUCTURAL RIB)



INFORMATION: BERGER BROS. CL SNOW GUARDS ARE MANUFACTURED IN A CRYSTAL CLEAR POLYCARBONATE WITH U.V. STABILIZERS. THE UNIQUE RIB SYSTEM ALLOWS FOR ADHESIVE OUT GASSING, WHICH INCREASES THE SHEAR AND MECHANICAL STRENGTH. THE THREE TO ONE BASE TO BLADE RATIO ADDS SIGNIFICANTLY TO THE SHEAR AND PEEL ADHESION OF THE DEVICE TO THE SURFACE. SUPERIOR ENGINEERING, ALONG WITH STRUCTURED RIBS, PREVENT COMMON BLADE BREAKAGE.



BERGER BROS CO.