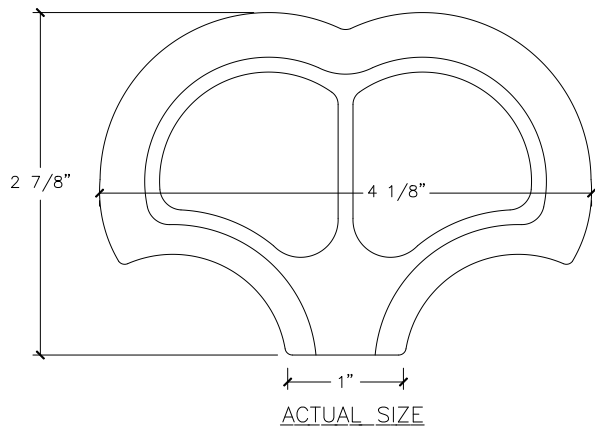
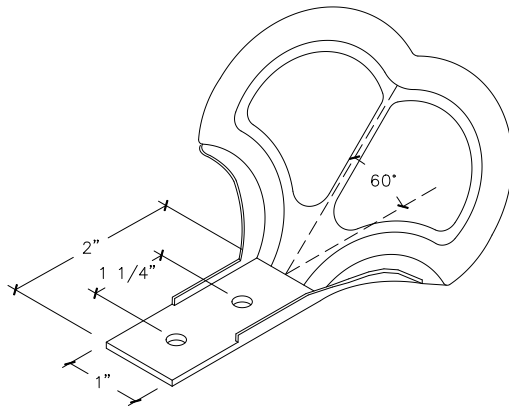


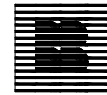
# RESIDENTIAL SNOW GUARDS

## No. 100 SHOE

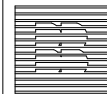


AVAILABLE MATERIALS: COPPER STAINLESS STEEL

INFORMATION: AFFORDABLE PROTECTION FOR YOUR GUTTER, FOUNDATION OR SHRUBBERY. IDEAL FOR MOUNTING TO CORRUGATED OR FLAT ROOF PANELS. STAINLESS STEEL OFFERS NO CORROSION PROBLEMS OR STAINS AND IS SUITABLE FOR PAINT TO MATCH YOUR ROOF. THE COPPER GUARD CAN BE SOLDERED OR FASTENED TO COPPER ROOF PANELS. THESE GUARDS PROVIDE 8.75 SQUARE INCHES OF STOPPING AREA. HOLES FOR #8 SCREWS OR RIVETS.



**BERGER BROS CO.**



BERGER BROS CO.