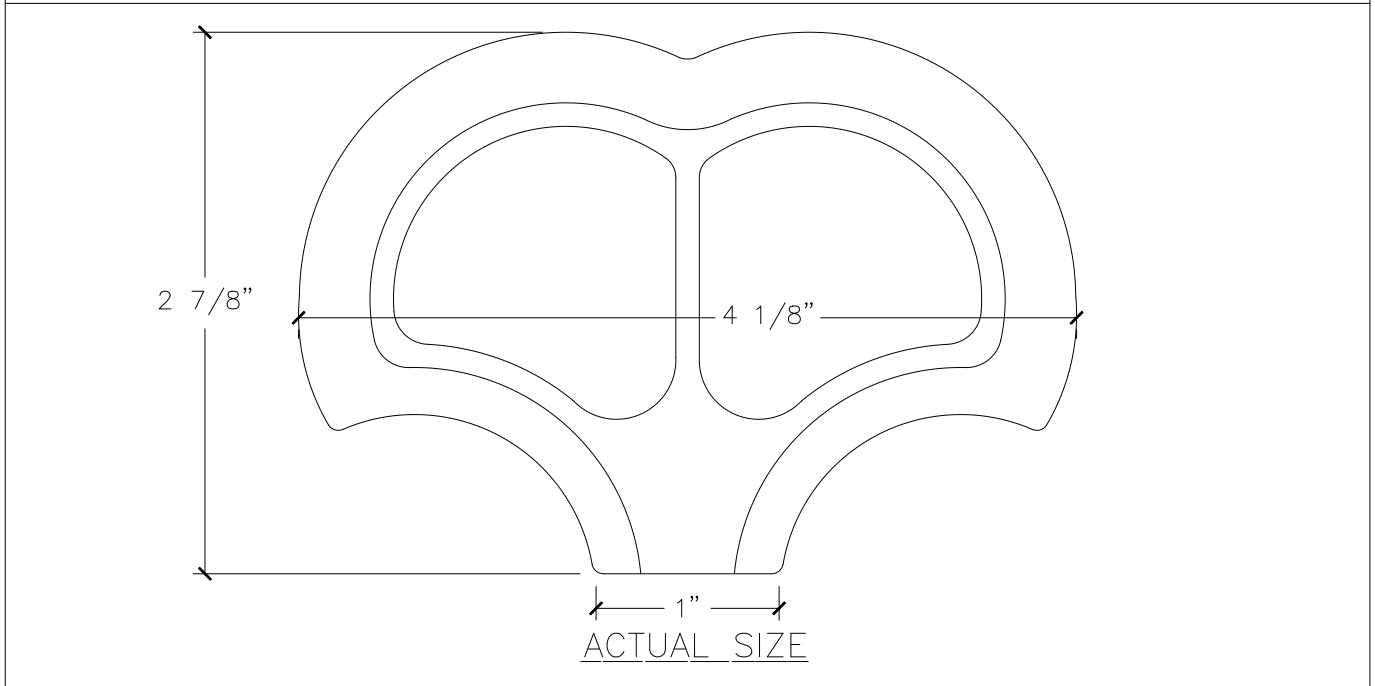
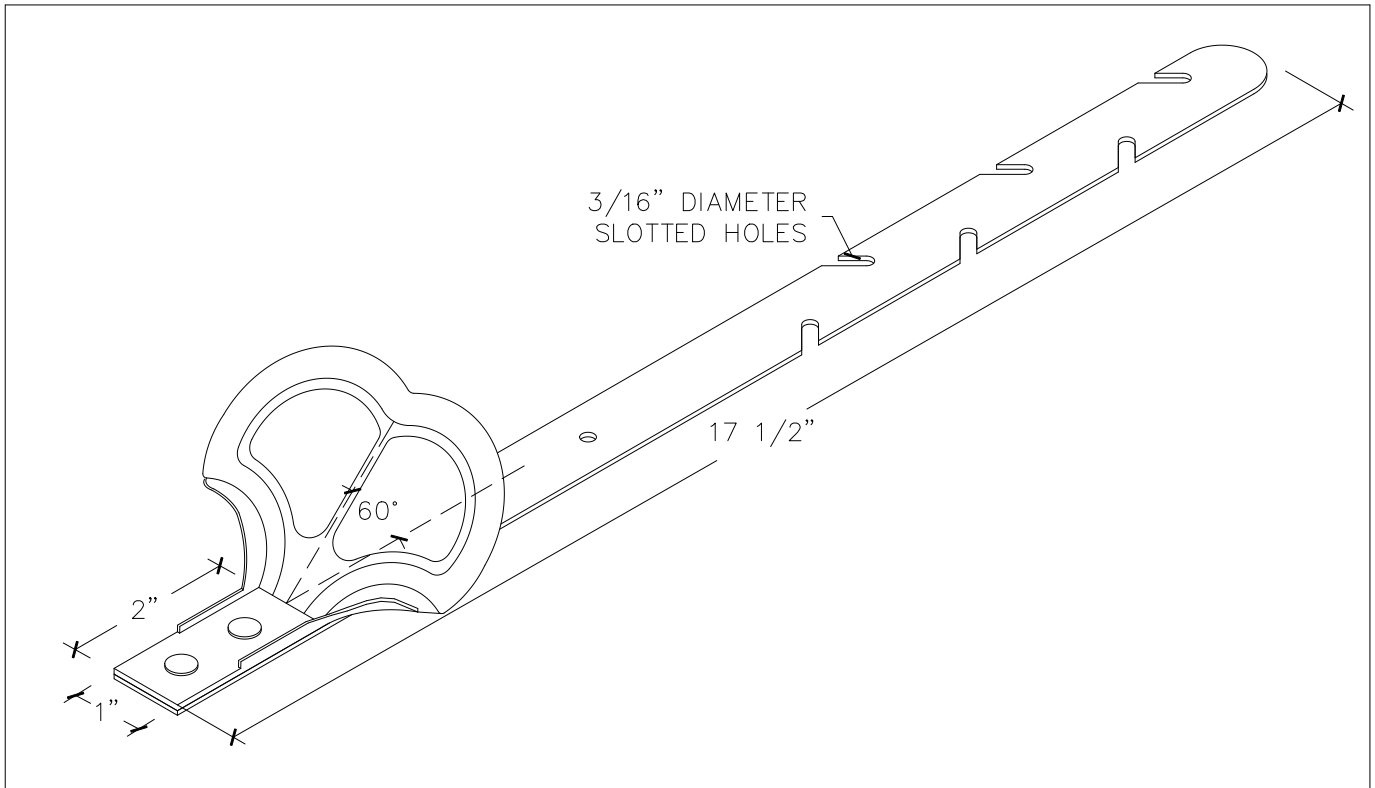


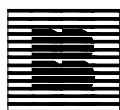
RESIDENTIAL SNOW GUARDS

No. 100 ASSEMBLY



AVAILABLE MATERIALS: COPPER STAINLESS STEEL HOT DIPPED GALVANIZED STEEL

INFORMATION: THIS GUARD HAS ELIMINATED THE NECESSITY OF REMOVING SLATE, AVOIDING THE POSSIBILITY OF BREAKAGE. SIMPLY INSERT THE SLOTTED BAR UNDER THE SLATE OR SHINGLE, ENGAGE A NAIL WITH ONE OF THE CONVENIENTLY PLACED SLOTS AND PULL DOWN TO FULLY SECURE BAR. THIS STYLE SNOW GUARD PROVIDES FAST INSTALLATION AND IS IDEAL FOR EXISTING OR NEW CONSTRUCTION APPLICATIONS WITH ASPHALT SHINGLED ROOFS.



BERGER BROS CO.