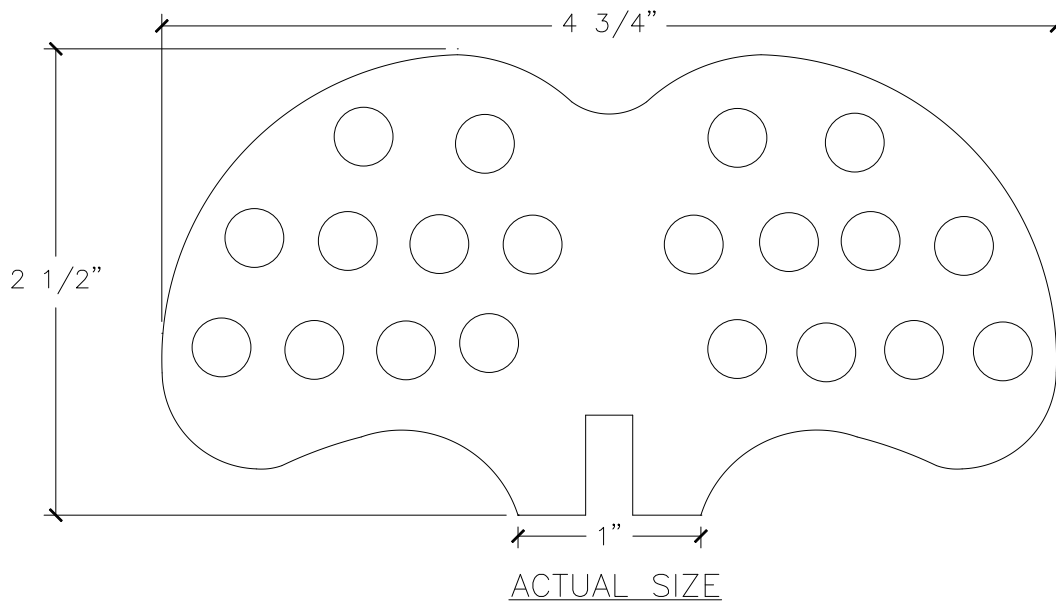
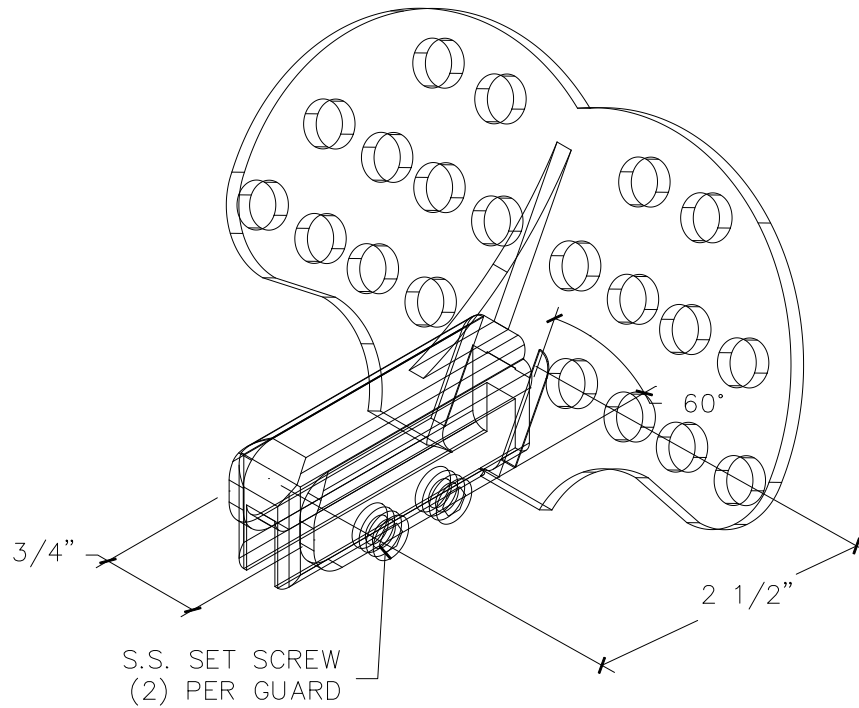


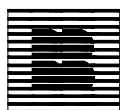
COMMERCIAL SNOW GUARDS

RT-200 & RT-300



AVAILABLE MATERIALS: BRONZE
ALUMINUM (MILL FINISH, BLACK PRIMER, & CUSTOM COLOR)

INFORMATION: RT SNOW GUARDS ARE NON-PENETRATING DEVICES WHICH ARE SECURED TO THE STANDING SEAMS OF METAL ROOFS UTILIZING STAINLESS STEEL SET SCREWS TO CLAMP THEM IN PLACE. THEY REQUIRE NO GLUES, OR SEALANTS, AND WILL NOT RESTRICT THERMAL MOVEMENT OR CONTRIBUTE TO UNSIGHTLY OIL-CANNING. THEY ARE SUITED FOR DOUBLE-LOCK & MECHANICALLY SEAMED METAL ROOFS, AND ARE IDEAL FOR RESTORATION AND PRESERVATION WORK. AVAILABLE IN TWO SEAM SIZES.



BERGER BROS CO.