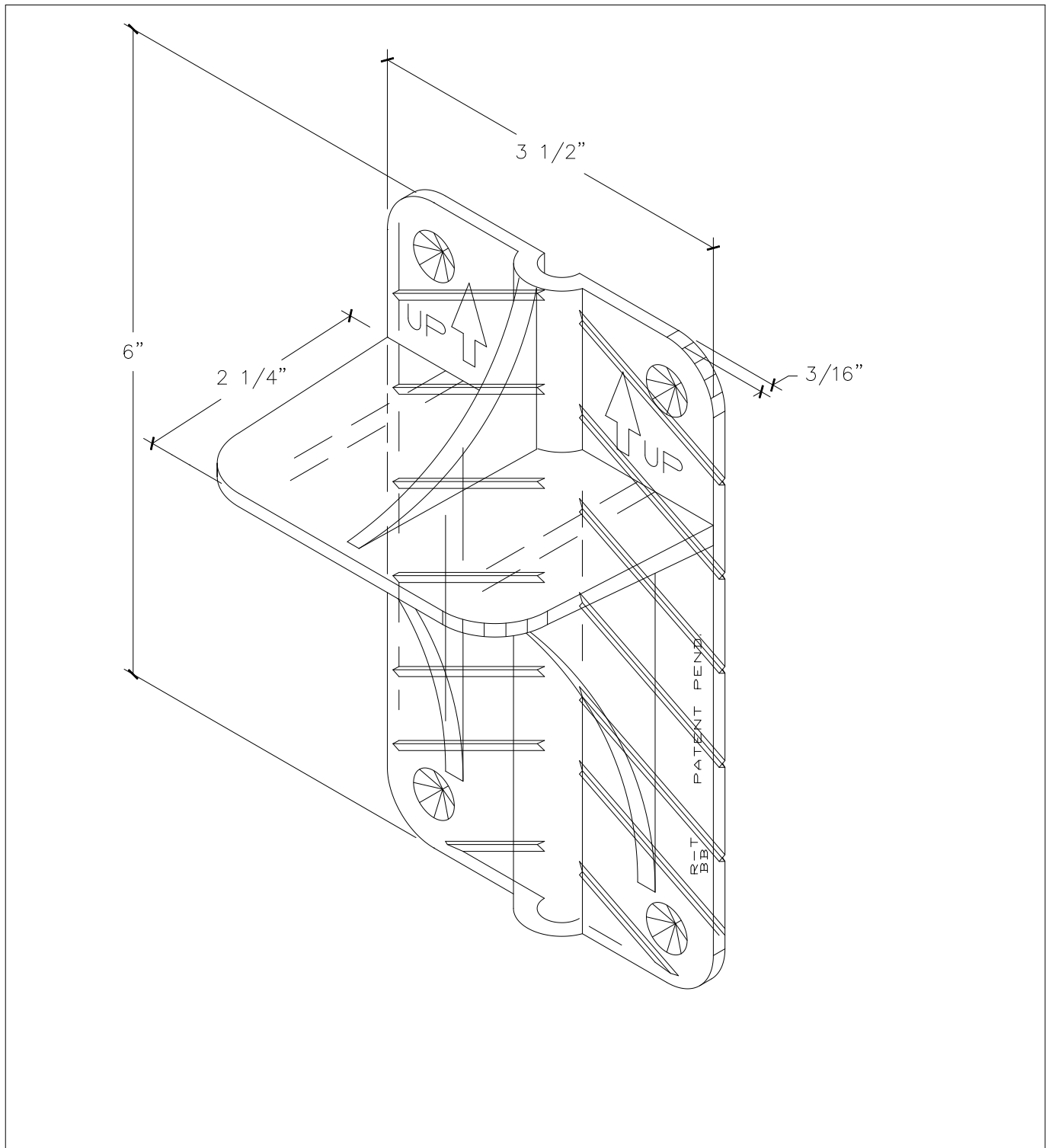
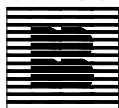


COMMERCIAL SNOW GUARDS CL SNOW GUARD (SURFACE MOUNT)



INFORMATION: BERGER BROS. CL SNOW GUARDS ARE MANUFACTURED IN A CRYSTAL CLEAR POLYCARBONATE WITH U.V. STABILIZERS. THE UNIQUE VENT RIB SYSTEM ALLOWS FOR ADHESIVE OUT GASSING, WHICH INCREASES THE SHEAR AND MECHANICAL STRENGTH. THE THREE TO ONE BASE TO BLADE RATIO ADDS SIGNIFICANTLY TO THE SHEAR AND PEEL ADHESION OF THE DEVICE TO THE SURFACE. SUPERIOR ENGINEERING PREVENT COMMON BLADE BREAKAGE. CLEAR SNOW GUARDS ARE ALSO WELL SUITED FOR MECH. ATTACHMENTS.



BERGER BROS CO.