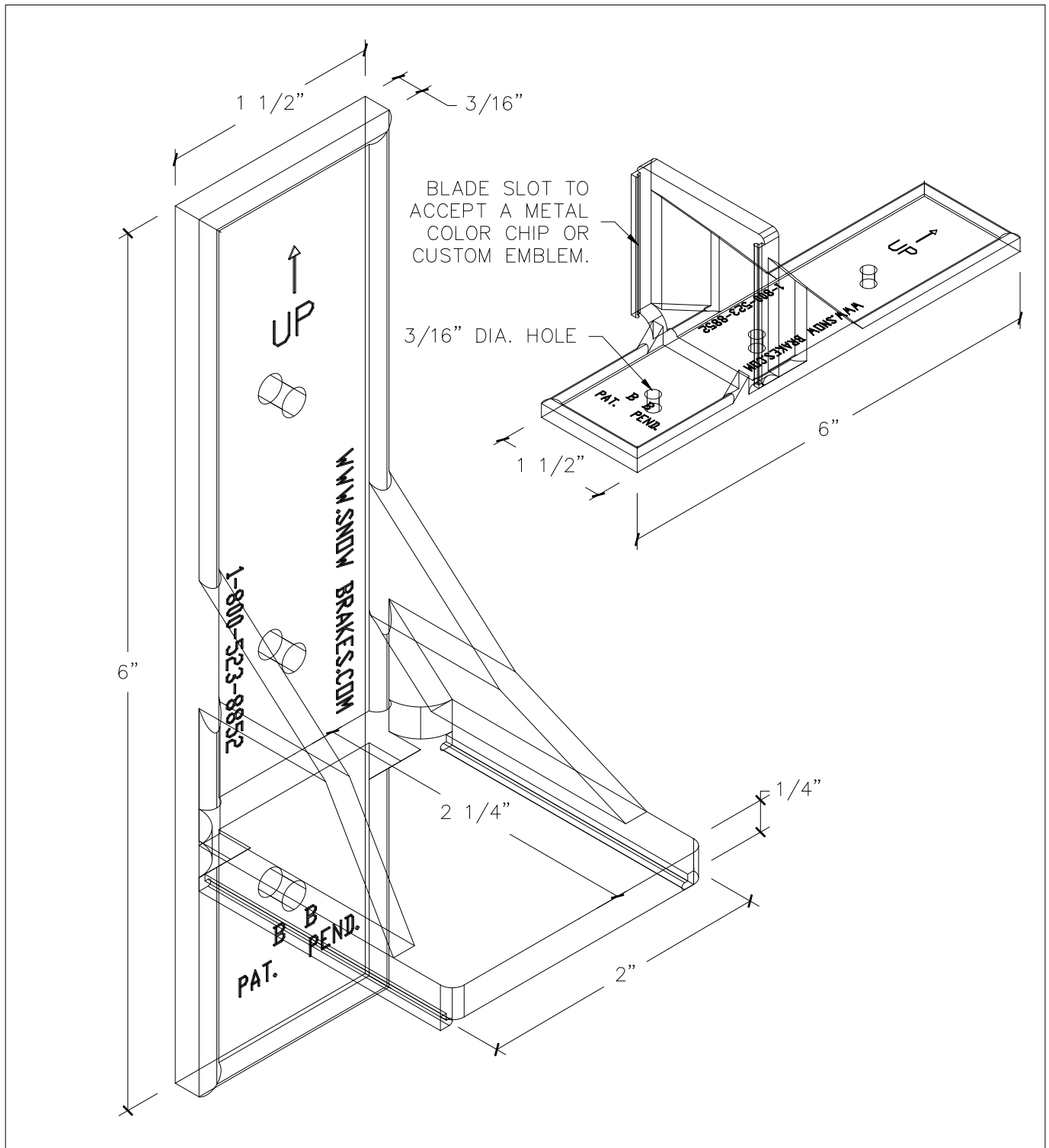
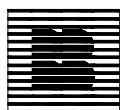


COMMERCIAL SNOW GUARDS

RTMINI SNOW GUARD (SURFACE MOUNT)



INFORMATION: BERGER BROS. RTMINI CLEAR SNOW GUARD IS MANUFACTURED IN A PREMIUM, HIGH CLARITY POLYCARBONATE WITH UV STABILIZERS. A 2 TO 1 BASE TO BLADE RATIO, 4.5 SQUARE INCH HOLDING AREA, AND THE GUSSETED BLADE SNOW POCKET COMBINE TO EFFECTIVELY RETAIN SNOW. THEY ARE WELL SUITED FOR ADHESIVE, OR MECHANICAL ATTACHMENTS. THE "MINI" FEATURES A BLADE "SNOWFLAKE" SLOT THAT ACCEPTS A METAL COLOR CHIP OR CUSTOM EMBLEM.



BERGER BROS CO.