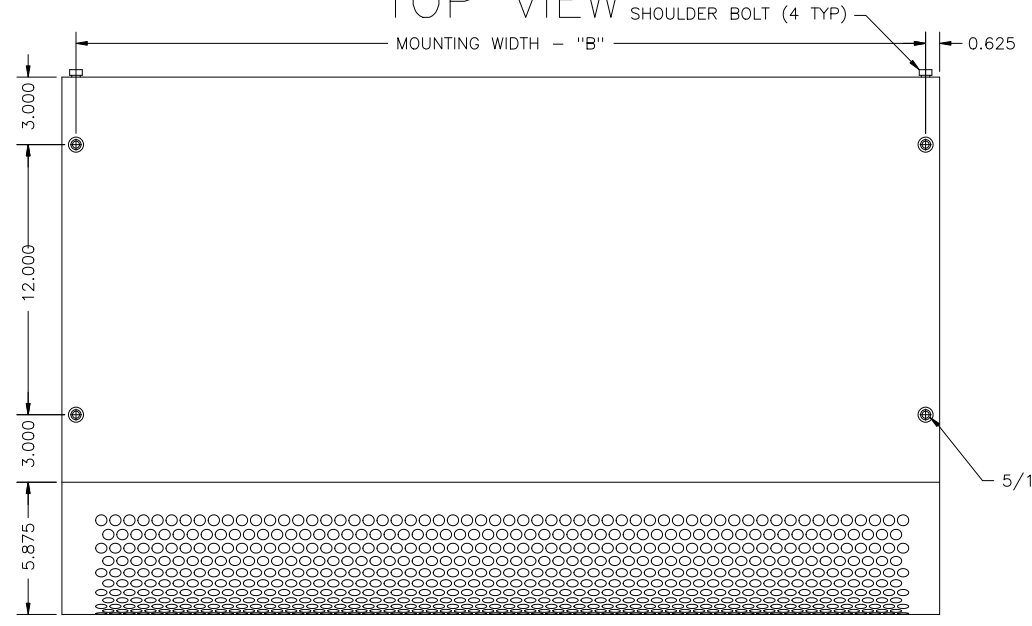


TOP VIEW



AURA

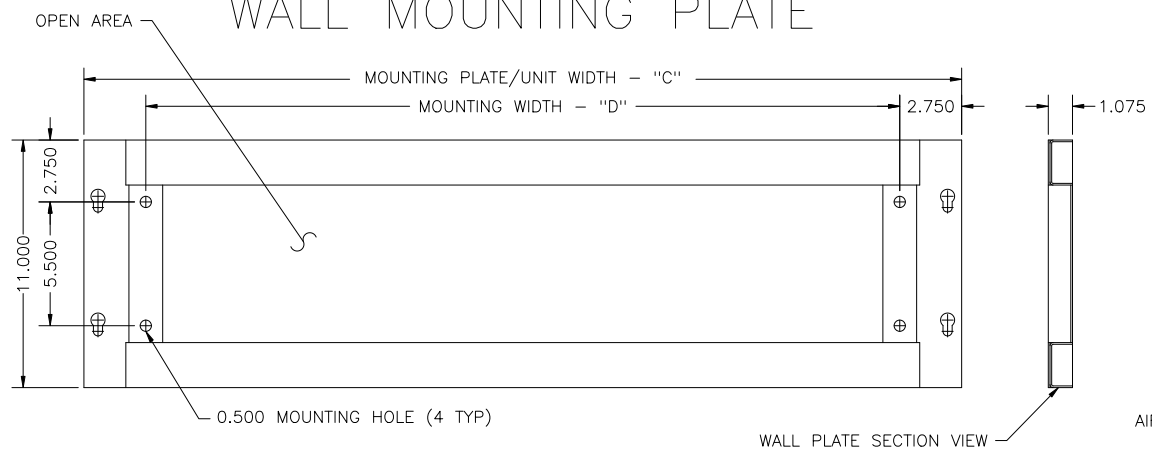
OPTIONAL EQUIPMENT WALL MOUNTING PLATE

NOTES:

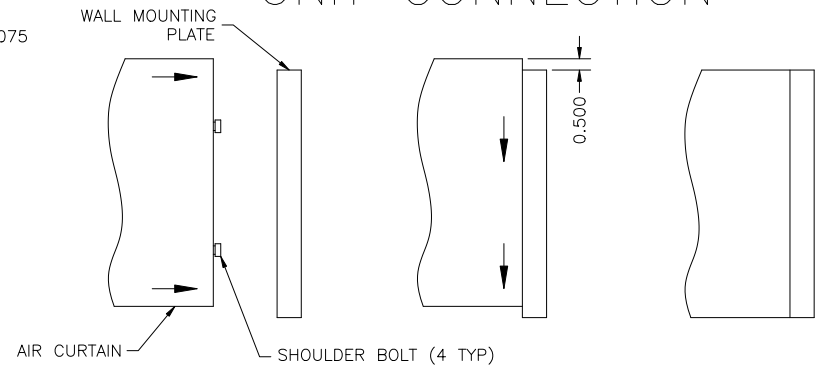
- ① AIR CURTAIN MUST BE INSTALLED SO AIR STREAM IS NOT OBSTRUCTED WHEN DEFLECTED 20° TO EITHER SIDE OF C.
- ② ELECTRICAL CONNECTIONS TO BE FLEXIBLE.
- ③ FIELD VERIFY DIMENSIONS.
- ④ ANCHORS TO SUPPORTING STRUCTURE BY OTHERS.
- ⑤ ADEQUACY OF SUPPORTING STRUCTURE IS TO BE VERIFIED BY A PROFESSIONAL STRUCTURAL ENGINEER.

MODEL	NOZZLE WIDTH "A"	MOUNTING WIDTH "B"	UNIT WIDTH "C"	MOUNTING WIDTH "D"
ARA-1-36*	36.500	37.750	39.000	33.500
ARA-1-42*	42.500	43.750	45.000	39.500
ARA-1-48*	48.500	49.750	51.000	45.500
ARA-1-60*	59.500	60.750	62.000	56.500

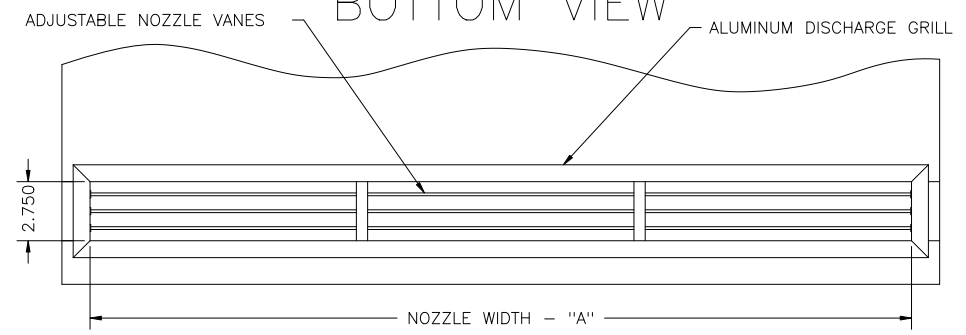
WALL MOUNTING PLATE



UNIT CONNECTION



BOTTOM VIEW



PROJECT		
LOCATION		
ARCHITECT		
ENGINEER		
DWG. NO.	ARA10011	TITLE: BERNER
DATE	29JUN95	MODEL AURA AIR CURTAIN
BY	D. Johnson	AMBIENT AND ELECTRIC HEATED
CHECK		
JOB NO.		BERNER INTERNATIONAL CORP. NEW CASTLE, PA.