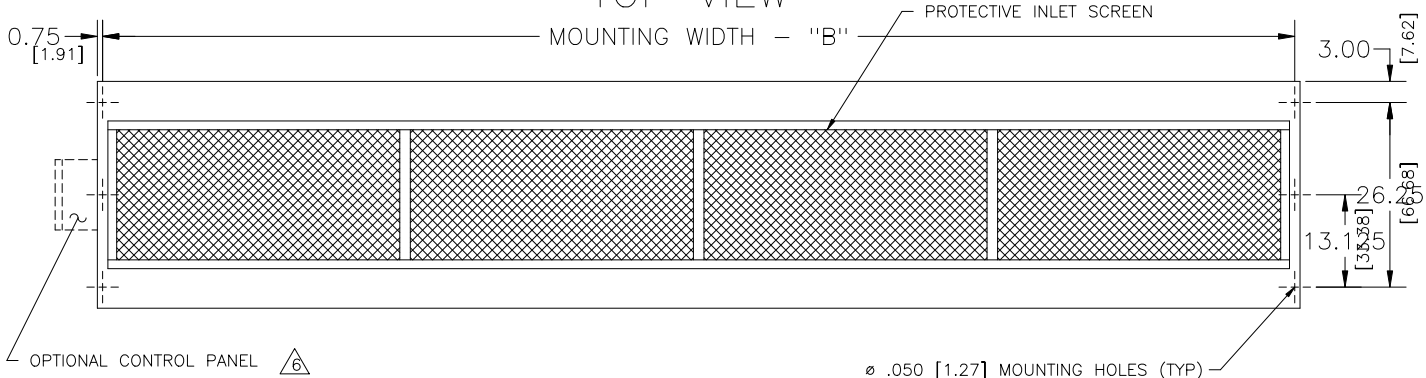
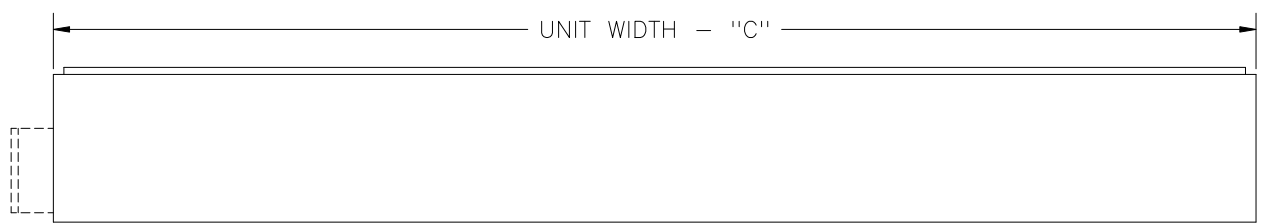


CFA TOP INTAKE AMBIENT SYSTEM

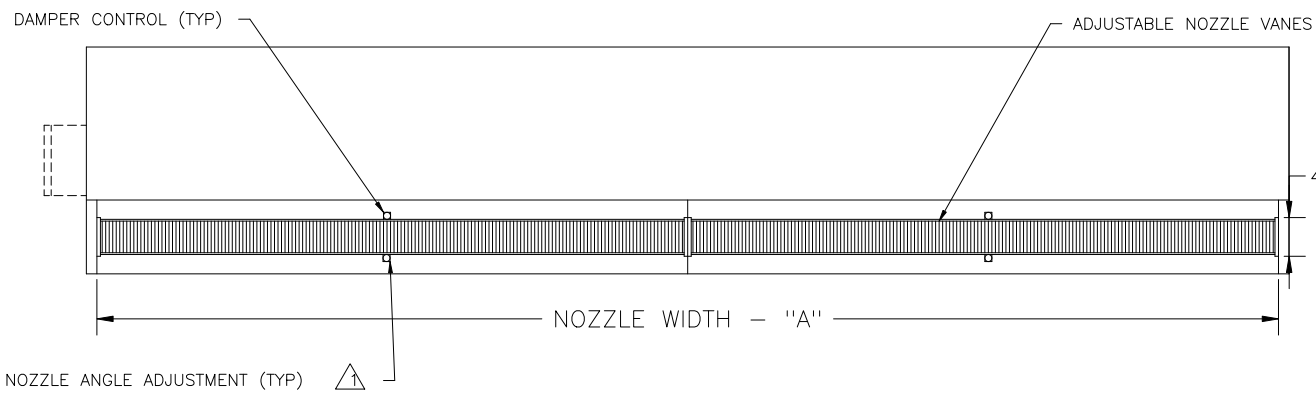
TOP VIEW



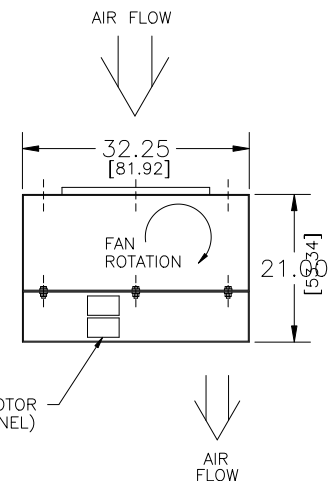
FRONT VIEW



BOTTOM VIEW



END VIEW



ONE JUNCTION BOX PER MOTOR (REQUIRED FOR REMOTE PANEL)
2.75 x 4.50 x 2.00
[6.99 x 11.43 x 5.08]

NOTES:

- (A) AIR CURTAIN MUST BE INSTALLED SO AIR STREAM IS NOT OBSTRUCTED WHEN DEFLECTED 20° TO EITHER SIDE OF C. L.
- (B) ELECTRICAL CONNECTIONS TO BE FLEXIBLE.
- (C) FIELD VERIFY DIMENSIONS.
- (D) ANCHORS TO SUPPORTING STRUCTURE BY OTHERS.
- (E) ADEQUACY OF SUPPORTING STRUCTURE IS TO BE VERIFIED BY A PROFESSIONAL STRUCTURAL ENGINEER.
- (F) OPTIONAL CONTROL PANEL AVAILABLE: LEFT HAND MOUNT, RIGHT HAND MOUNT, OR REMOTE. PLEASE SPECIFY.
- (G) DIMENSIONS IN INCHES [CENTIMETERS].

MODEL	NOZZLE WIDTH "A"	MOUNTING WIDTH "B"	UNIT WIDTH "C"
CFA-1-60A-T	60.00 [152.40]	61.50 [156.21]	63.00 [160.02]
CFA-1-72A-T	72.00 [182.88]	73.50 [186.69]	75.00 [190.50]
CFA-1-96A-T	96.00 [243.84]	97.50 [247.65]	99.00 [251.46]
CFA-1-120A-T	117.00 [297.18]	118.50 [300.99]	120.00 [304.80]
CFA-1-144A-T	144.00 [365.76]	145.50 [369.57]	147.00 [373.38]
CFA-2-168A-T	168.00 [426.72]	169.50 [430.53]	171.00 [434.34]
CFA-2-192A-T	192.00 [487.68]	193.50 [491.49]	195.00 [495.30]

PROJECT		
LOCATION		
ARCHITECT		
ENGINEER		
DWG. NO.	CFAE2774	TITLE: BERNER
DATE	26DEC01	MODEL CFA AIR CURTAIN
BY	B. Peffer	TOP INTAKE AMBIENT SYSTEM
REPLACES	12NOV93	
BY	D. Johnson	BERNER INTERNATIONAL CORP. NEW CASTLE, PA.