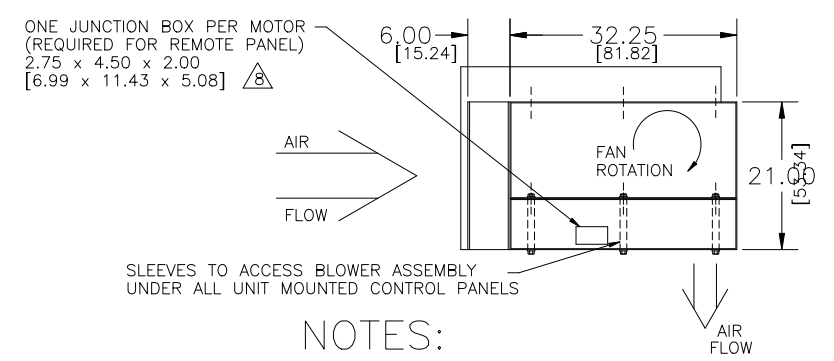
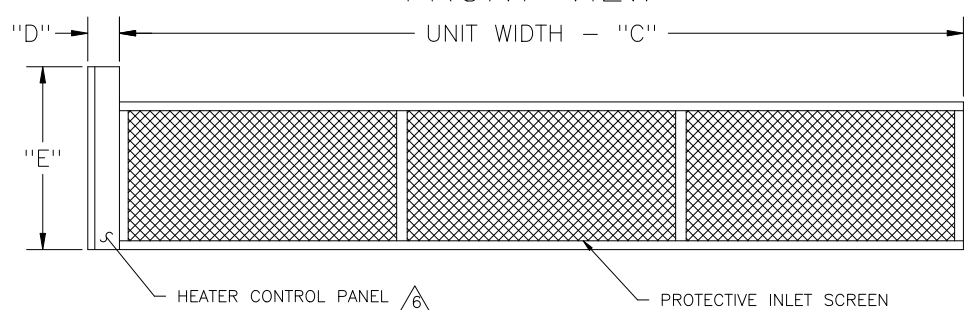
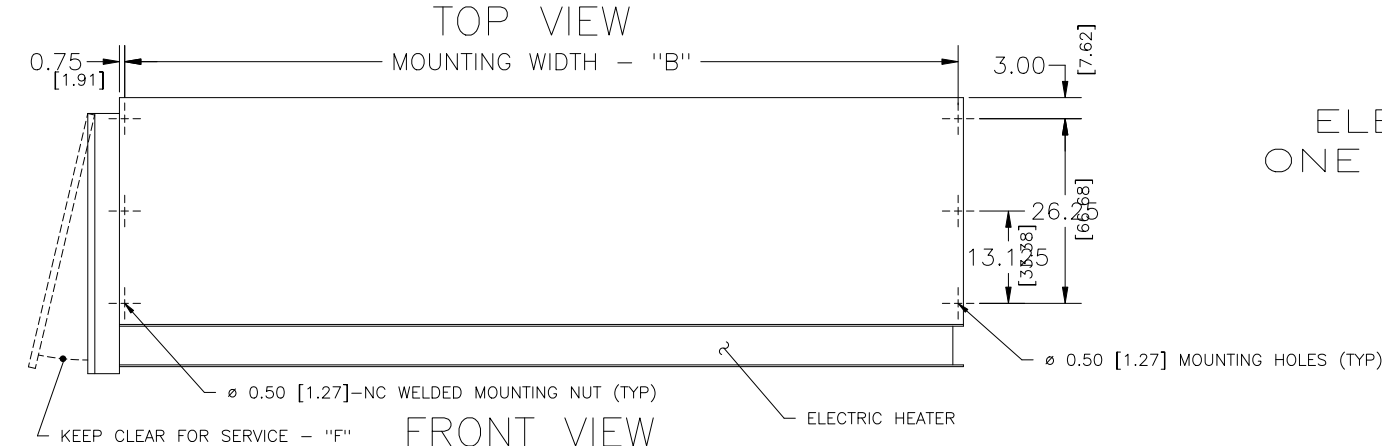
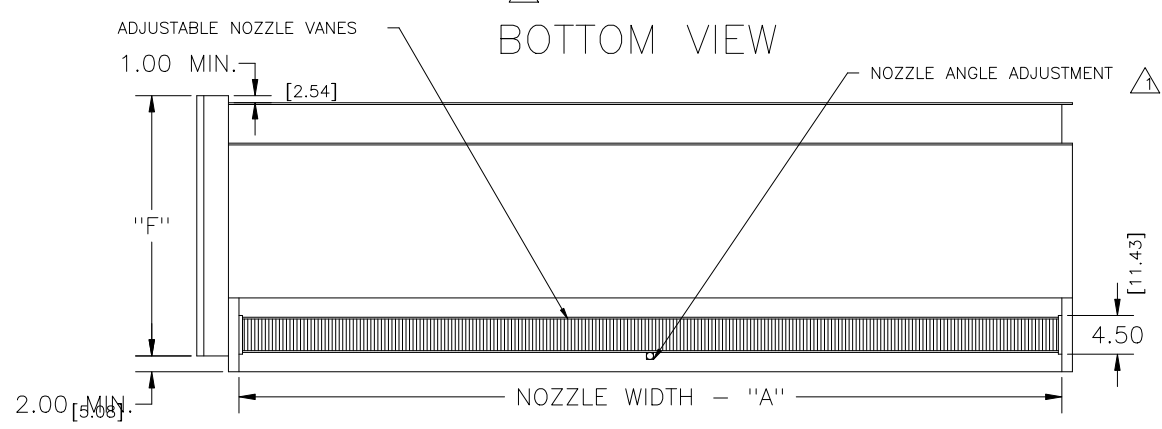


CFA ELECTRIC HEATED ONE HEATER SYSTEM



- NOTES:**
- ① AIR CURTAIN MUST BE INSTALLED SO AIR STREAM IS NOT OBSTRUCTED WHEN DEFLECTED 20° TO EITHER SIDE OF C. L.
 - ② ELECTRICAL CONNECTIONS TO BE FLEXIBLE.
 - ③ FIELD VERIFY DIMENSIONS.
 - ④ ANCHORS TO SUPPORTING STRUCTURE BY OTHERS.
 - ⑤ ADEQUACY OF SUPPORTING STRUCTURE IS TO BE VERIFIED BY A PROFESSIONAL STRUCTURAL ENGINEER.
 - ⑥ HEATER CONTROL PANEL SHOWN LEFT HAND, RIGHT HAND AVAILABLE, PLEASE SPECIFY.
 - ⑦ HEATER CONTROL PANEL INCLUDES POWER FUSING, AIR FLOW SWITCH, AND CONTROL CIRCUIT TRANSFORMER.
 - ⑧ TO INCLUDE MOTOR STARTER IN HEATER CONTROL PANEL, ADD 2.50 [6.35] TO "E" AND ADD 2.00 [5.08] TO "F".
 - ⑨ DIMENSIONS IN INCHES [CENTIMETERS].



MODEL	NOZZLE WIDTH "A"	MOUNTING WIDTH "B"	UNIT WIDTH "C"	HEATER CAPACITY (KW)	HEATER CONTROL PANEL DIMENSIONS BASED ON VOLTAGE								
					"D"			"E"			"F"		
					208V	230V	460V	208V	230V	460V	208V	230V	460V
CFA-1-60E	60.00 [152.40]	61.50 [156.21]	63.00 [160.02]	43.00	4.50 [11.43]	4.50 [11.43]	4.50 [11.43]	23.50 [59.69]	23.50 [59.69]	23.50 [59.69]	29.00 [73.66]	29.00 [73.66]	26.00 [66.04]
CFA-1-72E	72.00 [182.88]	73.50 [186.69]	75.00 [190.50]	50.00	6.25 [15.88]	4.50 [11.43]	4.50 [11.43]	23.50 [59.69]	23.50 [59.69]	23.50 [59.69]	29.00 [73.66]	29.00 [73.66]	26.00 [66.04]
CFA-1-96E	96.00 [243.84]	97.50 [247.65]	99.00 [251.46]	71.00	6.25 [15.88]	6.25 [15.88]	4.50 [11.43]	31.00 [78.74]	23.50 [59.69]	23.50 [59.69]	35.00 [88.90]	35.00 [88.90]	26.00 [66.04]
CFA-1-120E	117.00 [297.18]	118.50 [300.99]	120.00 [304.80]	100.00	8.75 [22.23]	8.75 [22.23]	4.50 [11.43]	32.00 [81.28]	32.00 [81.28]	23.50 [59.69]	39.00 [99.06]	39.00 [99.06]	32.00 [81.28]

PROJECT		TITLE:	BERNER
LOCATION		DATE	25FEB94
ARCHITECT		BY	D. Johnson
ENGINEER		CHECK	
DWG. NO.	CFAE2819	MODEL CFA AIR CURTAIN ELECTRIC HEATED - ONE HEATER SYSTEM	
JOB NO.		BERNER INTERNATIONAL CORP. NEW CASTLE, PA.	