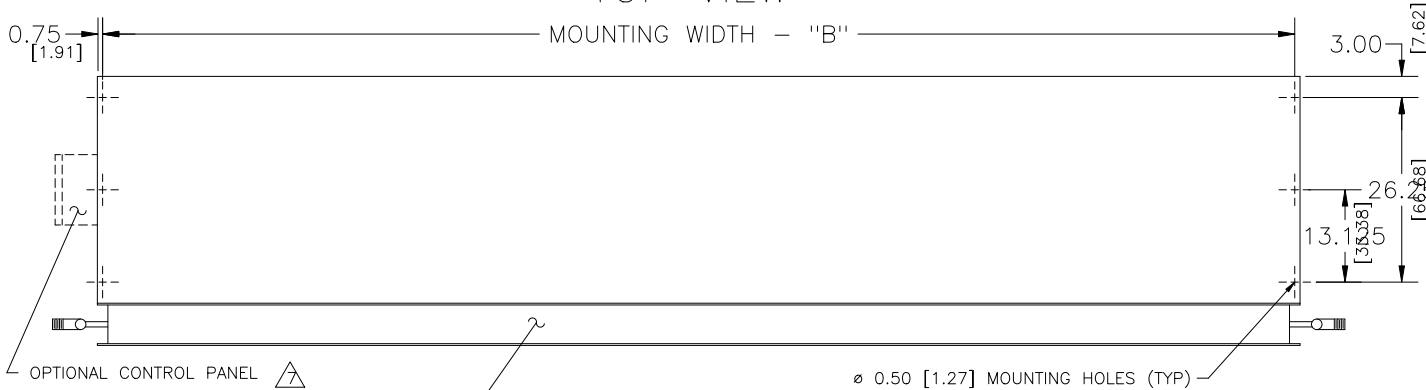
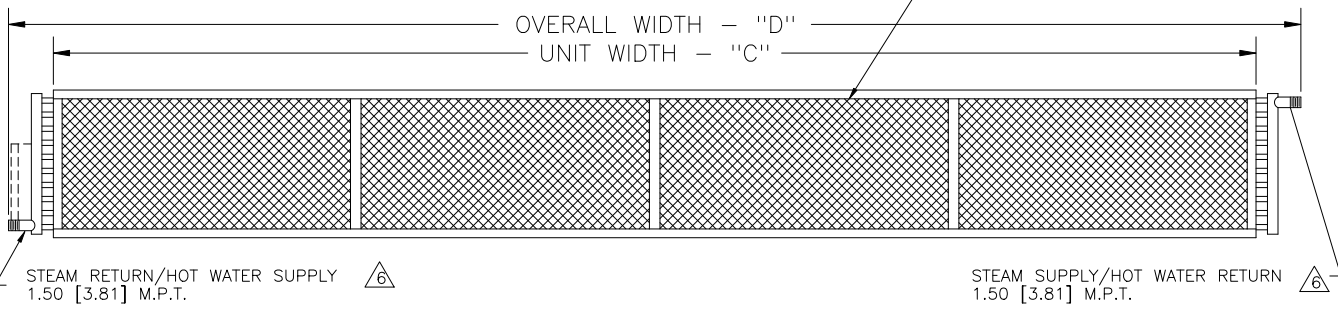


TOP VIEW

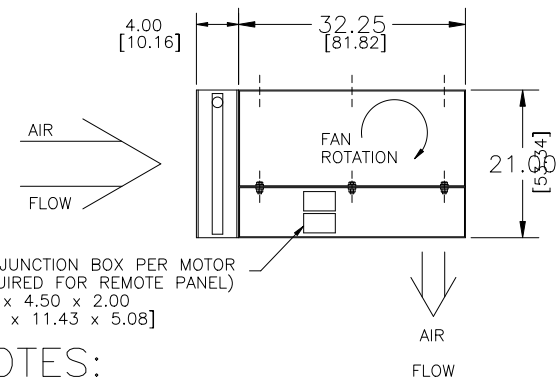


CFA
FRONT INTAKE
STEAM/HOT WATER
OPP. END SUP./RET.

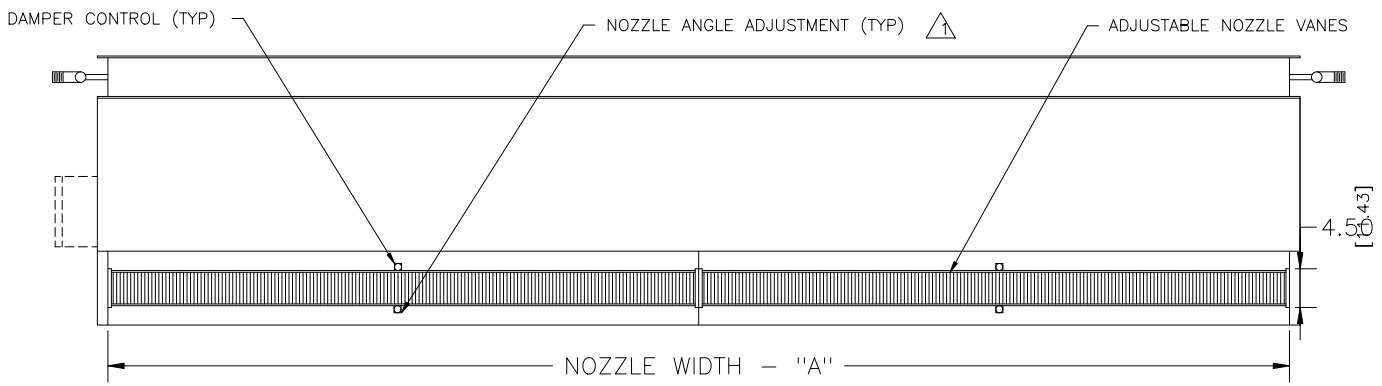
FRONT VIEW



END VIEW



BOTTOM VIEW



NOTES:

- 1 AIR CURTAIN MUST BE INSTALLED SO AIR STREAM IS NOT OBSTRUCTED WHEN DEFLECTED 20° TO EITHER SIDE OF C.
- 2 ELECTRICAL CONNECTIONS TO BE FLEXIBLE.
- 3 FIELD VERIFY DIMENSIONS.
- 4 ANCHORS TO SUPPORTING STRUCTURE BY OTHERS.
- 5 ADEQUACY OF SUPPORTING STRUCTURE IS TO BE VERIFIED BY A PROFESSIONAL STRUCTURAL ENGINEER.
- 6 COIL CONNECTIONS AS SHOWN, OPPOSITE AND SAME END CONNECTIONS AVAILABLE, PLEASE SPECIFY.
- 7 OPTIONAL CONTROL PANEL AVAILABLE: LEFT HAND MOUNT, RIGHT HAND MOUNT, OR REMOTE. PLEASE SPECIFY.
- 8 DIMENSIONS IN INCHES [CENTIMETERS].

MODEL	NOZZLE WIDTH "A"	MOUNTING WIDTH "B"	UNIT WIDTH "C"	OVERALL WIDTH "D"
CFA-1-60S-F	60.00 [152.40]	61.50 [156.21]	63.00 [160.02]	76.00 [193.04]
CFA-1-72S-F	72.00 [182.88]	73.50 [186.69]	75.00 [190.50]	88.00 [223.52]
CFA-1-96S-F	96.00 [243.84]	97.50 [247.65]	99.00 [251.46]	112.00 [284.48]
CFA-1-120S-F	117.00 [297.18]	118.50 [300.99]	120.00 [304.80]	133.00 [337.82]
CFA-1-144S-F	144.00 [365.76]	145.50 [369.57]	147.00 [373.38]	160.00 [406.40]
CFA-2-168S-F	168.00 [426.72]	169.50 [430.53]	171.00 [434.34]	184.00 [467.36]
CFA-2-192S-F	192.00 [487.68]	193.50 [491.49]	195.00 [495.30]	208.00 [528.32]

PROJECT		
LOCATION		
ARCHITECT		
ENGINEER		
DWG. NO.	CFAF2864	TITLE: BERNER
DATE	26MAR01	MODEL CFA AIR CURTAIN
BY	B. Peffer	FRONT INTAKE STEAM/HOT WATER HEATED
REPLACES	07MAY99	
BY	B. Peffer	BERNER INTERNATIONAL CORP. NEW CASTLE, PA.