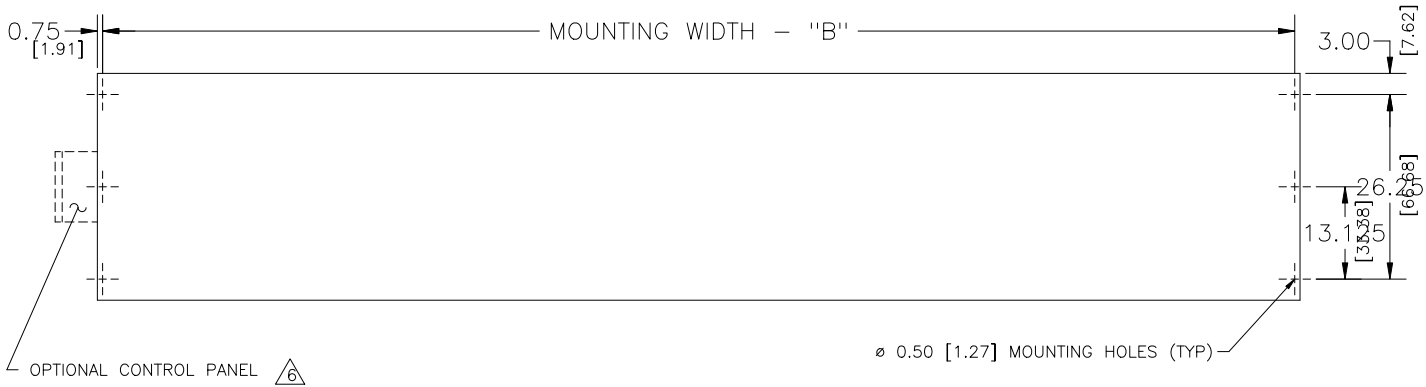
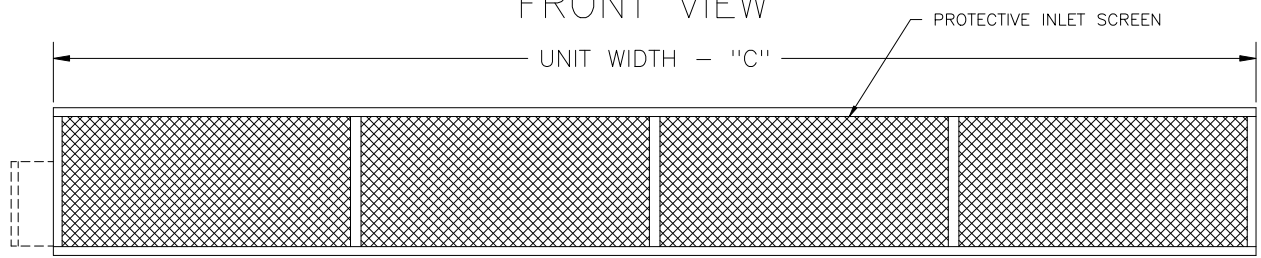


CFC FRONT INTAKE AMBIENT SYSTEM

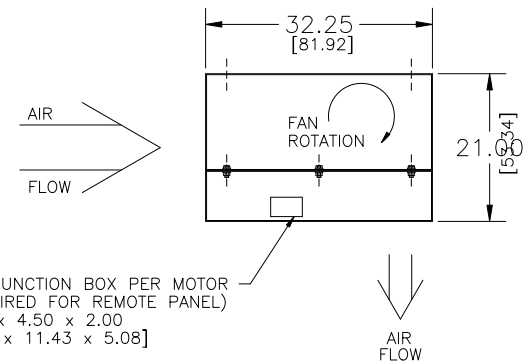
TOP VIEW



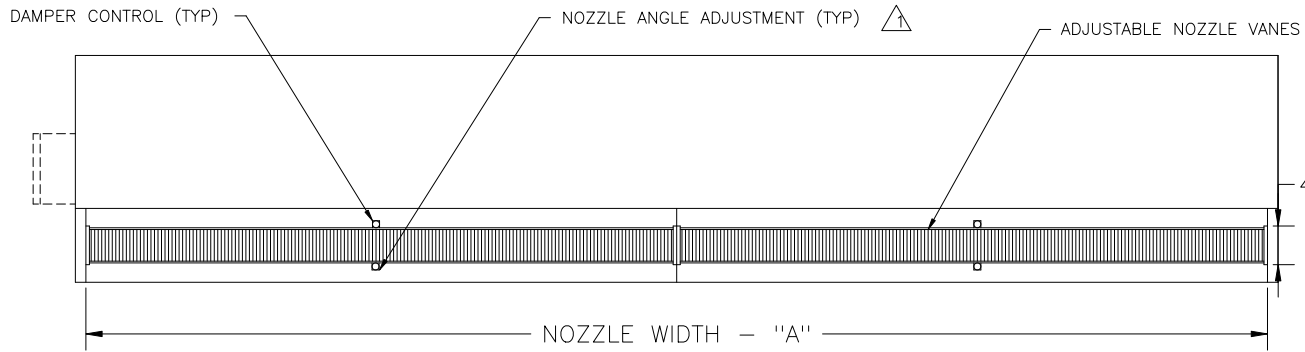
FRONT VIEW



END VIEW



BOTTOM VIEW



NOTES:

- ⚠ AIR CURTAIN MUST BE INSTALLED SO AIR STREAM IS NOT OBSTRUCTED WHEN DEFLECTED 20° TO EITHER SIDE OF C.
- ⚠ ELECTRICAL CONNECTIONS TO BE FLEXIBLE.
- ⚠ FIELD VERIFY DIMENSIONS.
- ⚠ ANCHORS TO SUPPORTING STRUCTURE BY OTHERS.
- ⚠ ADEQUACY OF SUPPORTING STRUCTURE IS TO BE VERIFIED BY A PROFESSIONAL STRUCTURAL ENGINEER.
- ⚠ OPTIONAL CONTROL PANEL AVAILABLE: LEFT HAND MOUNT, RIGHT HAND MOUNT, OR REMOTE. PLEASE SPECIFY.
- ⚠ DIMENSIONS IN INCHES [CENTIMETERS].

MODEL	NOZZLE WIDTH "A"	MOUNTING WIDTH "B"	UNIT WIDTH "C"
CFC-1-60A-F	60.00 [152.40]	61.50 [156.21]	63.00 [160.02]
CFC-1-72A-F	72.00 [182.88]	73.50 [186.69]	75.00 [190.50]
CFC-1-96A-F	96.00 [243.84]	97.50 [247.65]	99.00 [251.46]
CFC-1-120A-F	117.00 [297.18]	118.50 [300.99]	120.00 [304.80]
CFC-1-144A-F	144.00 [365.76]	145.50 [369.57]	147.00 [373.38]
CFC-1-168A-F	168.00 [426.72]	169.50 [430.53]	171.00 [434.34]
CFC-2-192A-F	192.00 [487.68]	193.50 [491.49]	195.00 [495.30]

PROJECT		
LOCATION		
ARCHITECT		
ENGINEER		
DWG. NO.	CFCF2866	TITLE: BERNER
DATE	26DEC01	MODEL CFC AIR CURTAIN
BY	B. Peffer	FRONT INTAKE AMBIENT SYSTEM
REPLACES	29OCT93	
BY	D. Johnson	BERNER INTERNATIONAL CORP. NEW CASTLE, PA.