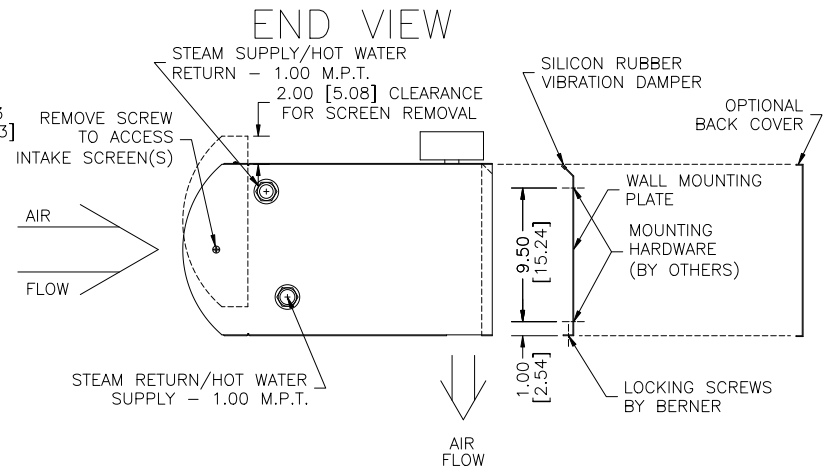
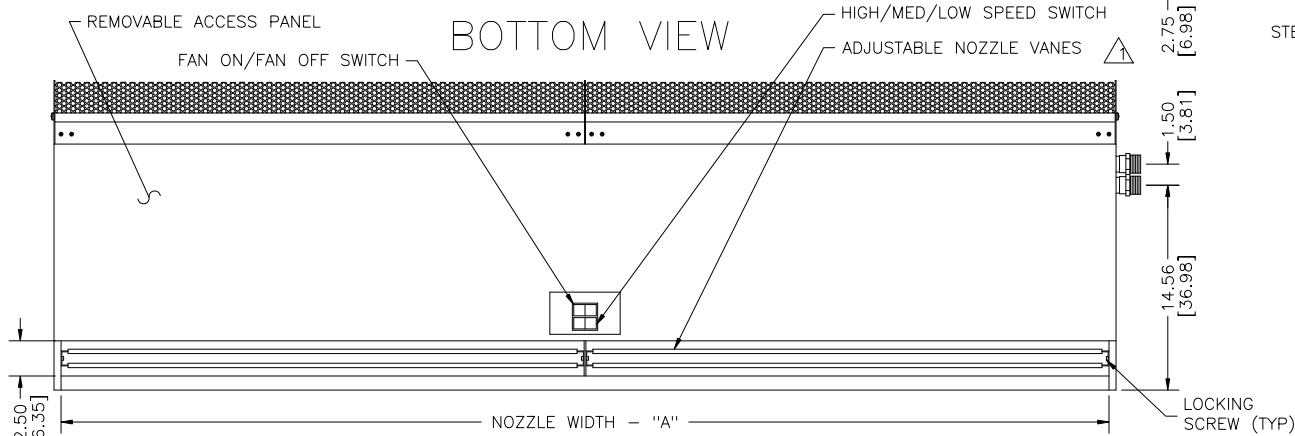
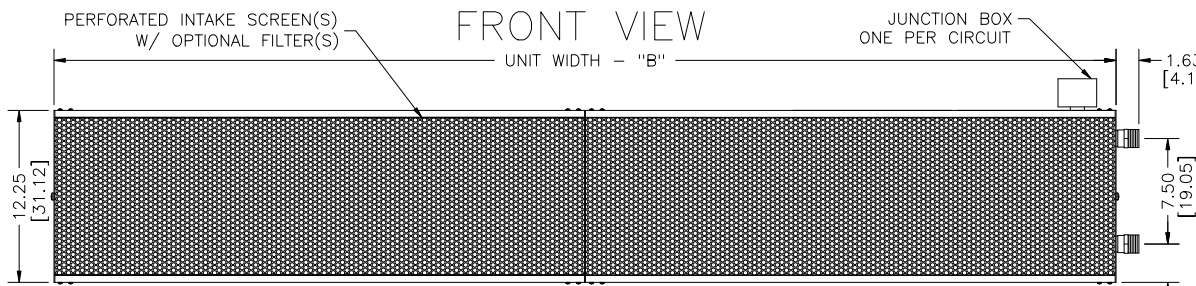
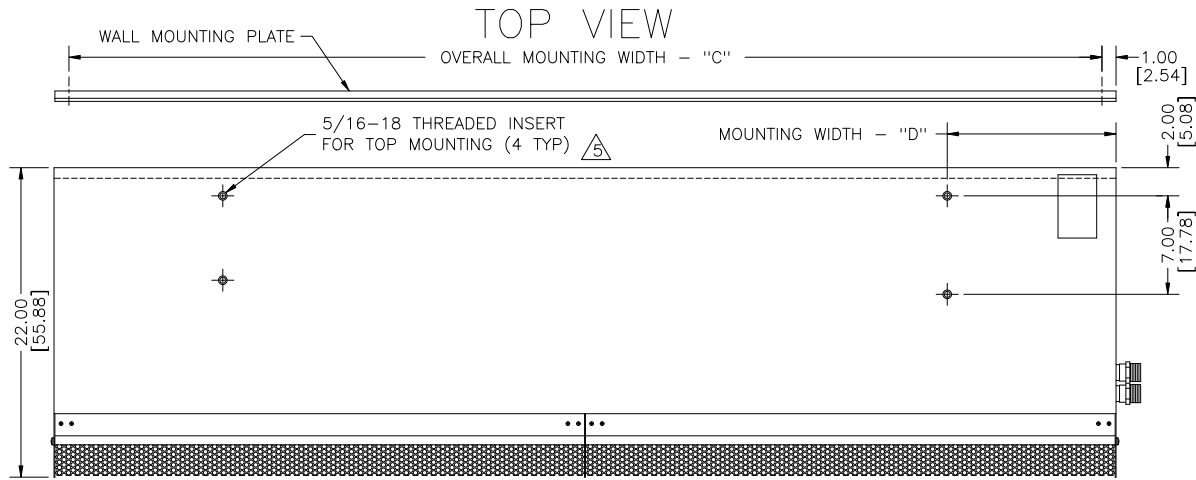


Signature Series
MARK II
 STEAM/HOT WATER HEATED



NOTES:

- ① AIR CURTAIN MUST BE INSTALLED SO AIR STREAM IS NOT OBSTRUCTED WHEN DEFLECTED 20° TO EITHER SIDE OF C. L.
- ② ELECTRICAL CONNECTIONS TO BE FLEXIBLE.
- ③ FIELD VERIFY DIMENSIONS.
- ④ ANCHORS TO SUPPORTING STRUCTURE BY OTHERS.
- ⑤ ADEQUACY OF SUPPORTING STRUCTURE IS TO BE VERIFIED BY A PROFESSIONAL STRUCTURAL ENGINEER.
- ⑥ LETTER "S" IN MODEL NUMBER DESIGNATES A COIL THAT CAN BE USED FOR STEAM OR HOT WATER.
- ⑦ DIMENSIONS IN INCHES [CENTIMETERS].

MODEL ⑥	NOZZLE WIDTH "A"	UNIT WIDTH "B"	MOUNTING WIDTH "C"	MOUNTING WIDTH "D"
MK2-1-36S	36.75 [93.35]	37.75 [95.89]	35.50 [90.17]	8.00 [20.32]
MK2-1-42S	42.75 [108.59]	43.75 [111.13]	41.50 [105.41]	8.00 [20.32]
MK2-1-48S	48.75 [123.83]	49.75 [126.37]	47.50 [120.65]	10.00 [25.40]
MK2-2-48S	48.75 [123.83]	49.75 [126.37]	47.50 [120.65]	8.00 [20.32]
MK2-2-60S	60.75 [153.31]	61.75 [156.85]	59.50 [151.13]	8.00 [20.32]
MK2-2-72S	74.50 [189.23]	75.50 [191.77]	73.25 [186.06]	12.00 [30.48]
MK2-2-84S	86.50 [219.71]	87.50 [222.25]	85.25 [216.54]	12.00 [30.48]
MK2-3-96S	98.50 [250.19]	99.50 [252.73]	97.25 [247.02]	27.00 [68.58]
MK2-3-108S	112.25 [285.12]	113.25 [287.66]	111.00 [281.94]	27.00 [68.58]
MK2-3-120S	118.25 [300.36]	119.25 [302.90]	117.00 [297.18]	27.00 [68.58]

PROJECT		
LOCATION		
ARCHITECT		
ENGINEER		
DWG. NO.	MINL2670	TITLE: BERNER
DATE	17JUL01	MODEL MARK II AIR CURTAIN
BY	B. Peffer	STEAM/HOT WATER HEATED
REPLACES	27APR98	
BY	B. Peffer	BERNER INTERNATIONAL CORP. NEW CASTLE, PA.