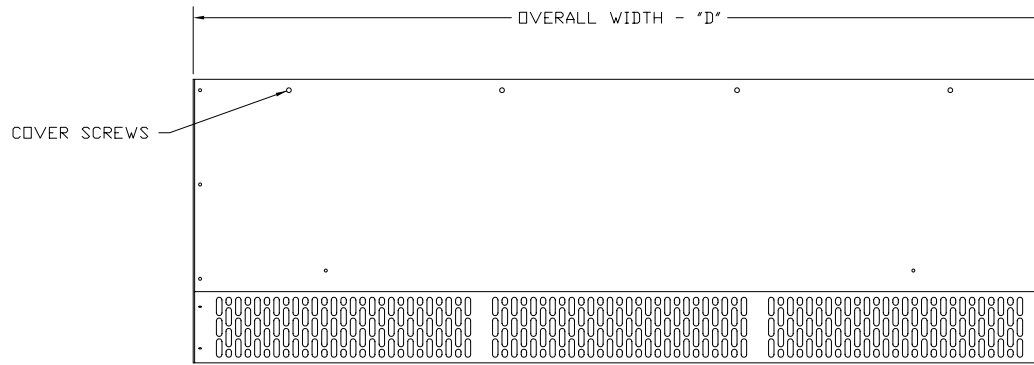



  
**THE STAR**
  
 AIR DOOR
   
 AMBIENT
   
 THREE SPEED

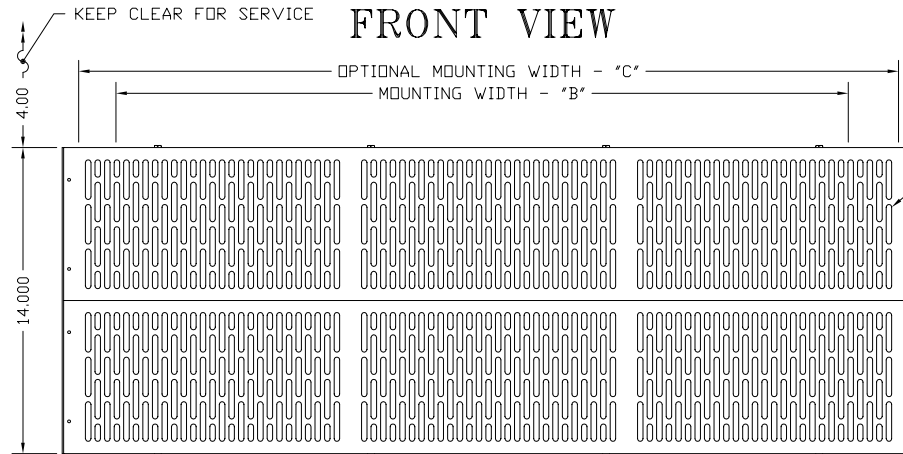
**TOP VIEW**



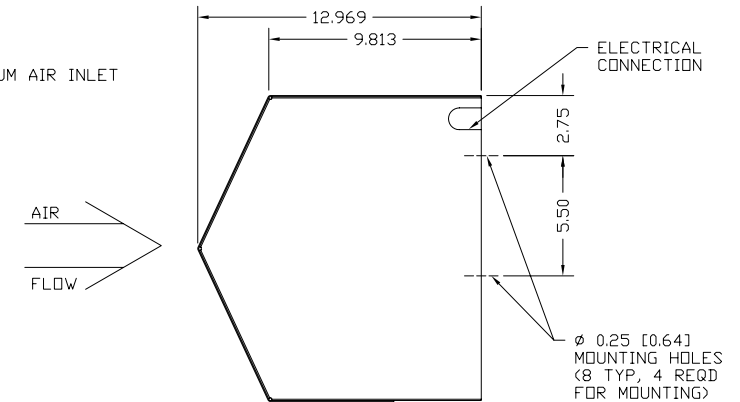
**NOTES:**

- ① AIR CURTAIN MUST BE INSTALLED SO AIR STREAM IS NOT OBSTRUCTED WHEN DEFLECTED 20° TO EITHER SIDE OF  $\phi$ .
- ② ELECTRICAL CONNECTIONS ARE TO BE FLEXIBLE.
- ③ FIELD VERIFY DIMENSIONS.
- ④ ANCHORS TO SUPPORTING STRUCTURE TO BE SUPPLIED BY OTHERS.
- ⑤ ADEQUACY OF SUPPORTING STRUCTURE IS TO BE VERIFIED BY A PROFESSIONAL STRUCTURAL ENGINEER.

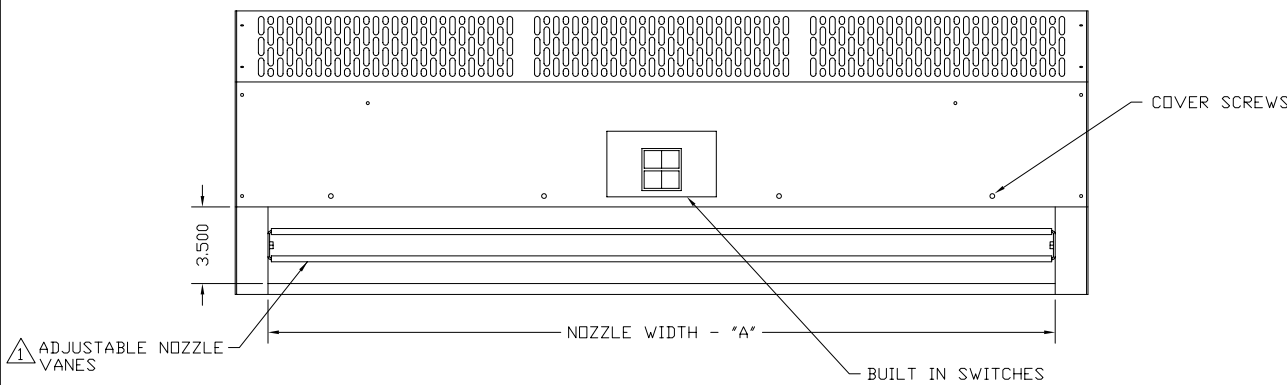
**FRONT VIEW**



**END VIEW**



**BOTTOM VIEW**



AIRFLOW

MODEL	NOZZLE "A"	MOUNTING "B"	MOUNTING "C"	OVERALL "D"
STR1036A-3X	36.00 [91.44]	33.50 [85.09]	37.50 [95.25]	39.00 [99.06]
STR1042A-3X	42.00 [106.68]	39.50 [100.33]	43.50 [110.49]	45.00 [114.30]
STR1048A-3X	48.00 [121.92]	45.50 [115.57]	49.50 [125.73]	51.00 [129.54]
STR2060A-3X	60.00 [152.40]	57.50 [146.05]	61.50 [156.21]	63.00 [160.02]
STR2072A-3X	72.00 [193.04]	69.50 [176.53]	73.50 [186.69]	75.00 [190.50]

DWG. NO.	LWAT0075	TITLE:	<b>BERNER</b> MODEL STAR AIR DOOR 3-SPEED AMBIENT
DATE	01SEP05	BY	
REPLACES		BERNER INTERNATIONAL CORP. NEW CASTLE, PA.	
BY			