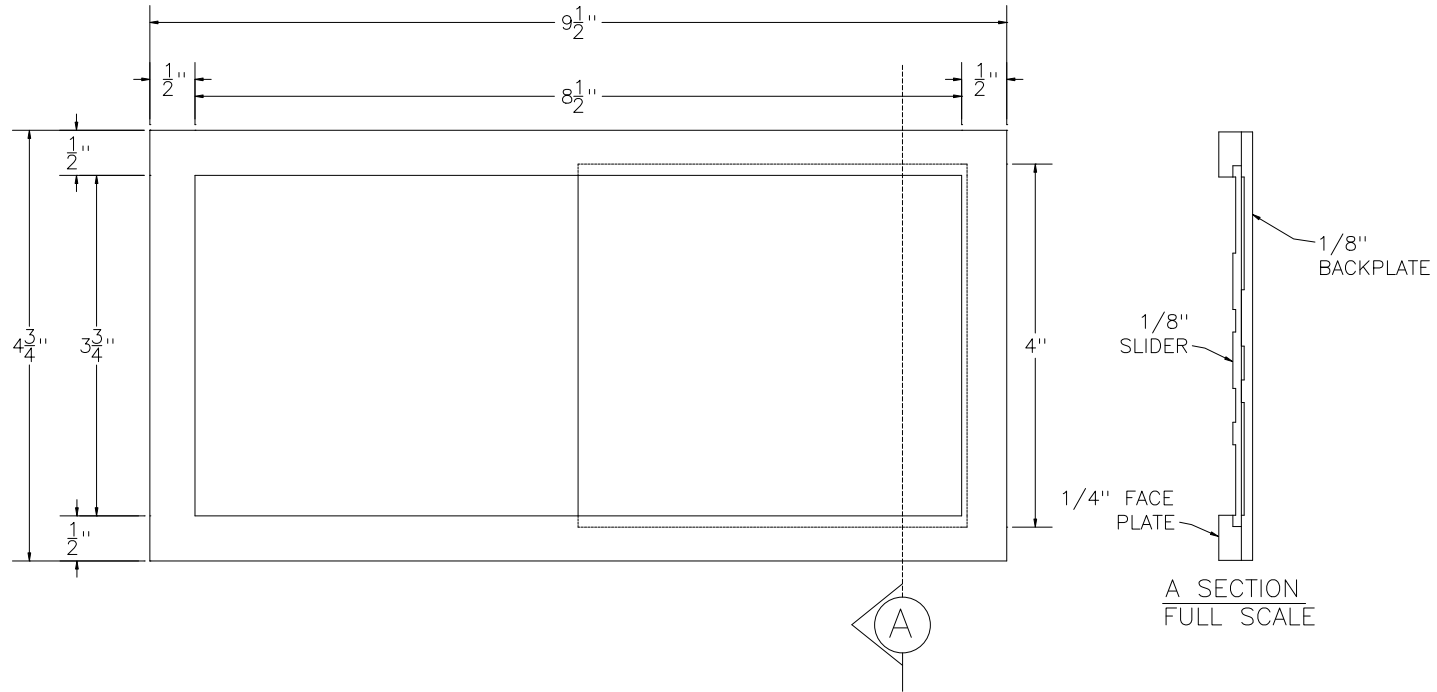



SPECIFICATIONS:



DRAWING INFORMATION	
CUSTOMER: N/A	
INV NO. N/A	
DATE: 11/14/2003	
<small>DIMENSIONS HAVE PRECEDANCE OVER SCALE. THIS COPYRIGHTED DRAWING IS THE PROPERTY OF BEST SIGN SYSTEMS INC. AND REPRESENTS IN WHOLE OR IN PART DESIGNS CREATED BY BEST AND MUST NOT BE USED EXCEPT IN CONNECTION WITH OUR WORK OR REPRODUCED IN ANY PART WITHOUT WRITTEN PERMISSION.</small>	
DWG TITLE	M-94 w/RAISED COPY & BRAILLE
DWG NO.	N/A