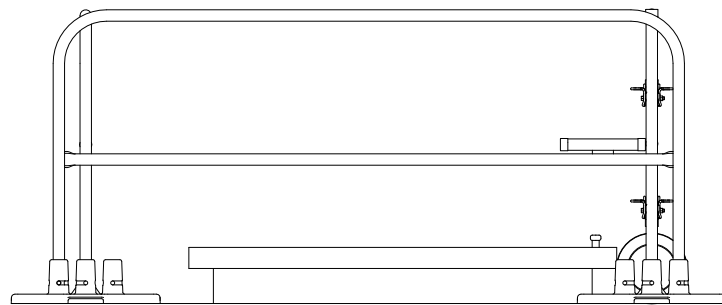
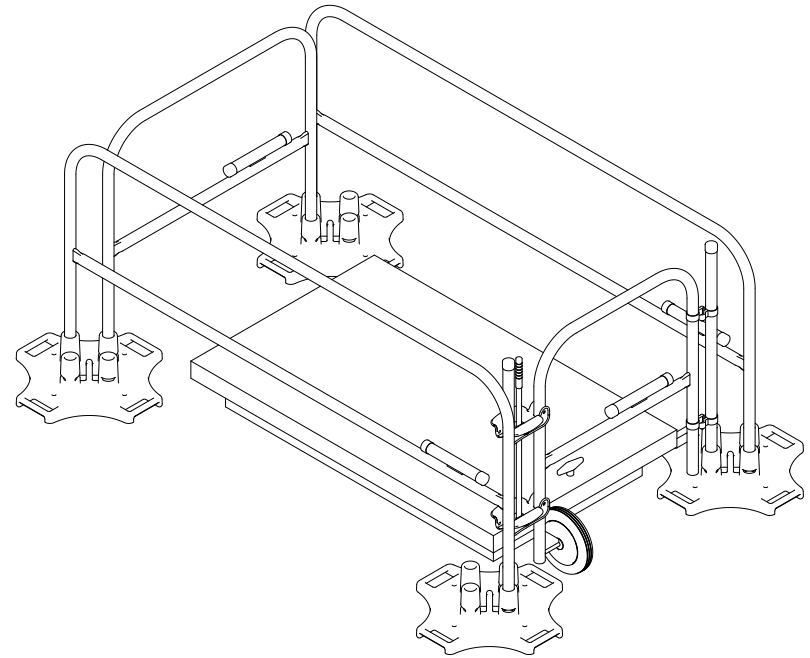
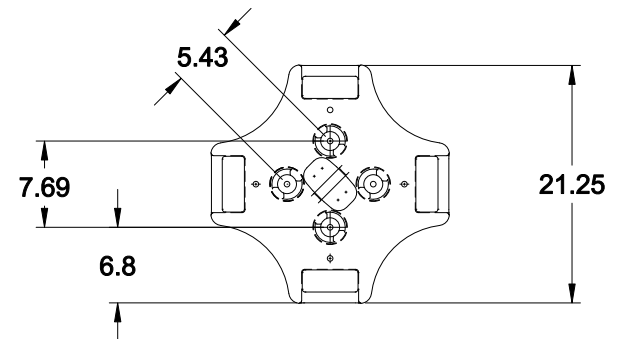


TOP VIEW



SIDE VIEW



BASE DETAIL

KIT WILL FIT THE FOLLOWING
STAIRWAY HATCHES:

- 30 X 54
- 30 X 60

BlueWater Mfg.
P.O.Box 203
7914 Kerber Blvd.
Chanhausen, MN 55317

Tel: 952-926-0515
Toll Free: 866-898-5237
Fax: 952-926-0518
info@bluewater-mfg.com
www.safetyrail2000.com

Stairway Hatch Safety Rail Kit

Dwg No.	Rev.	Sheet
500047	B	1/1