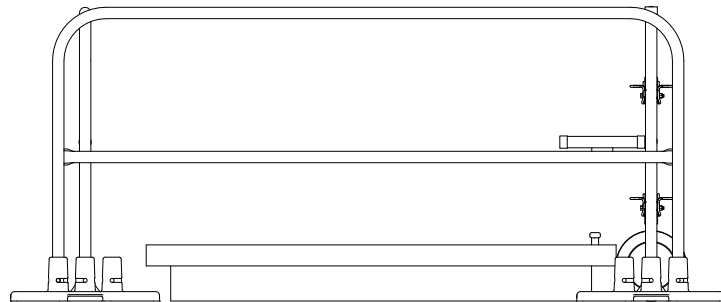
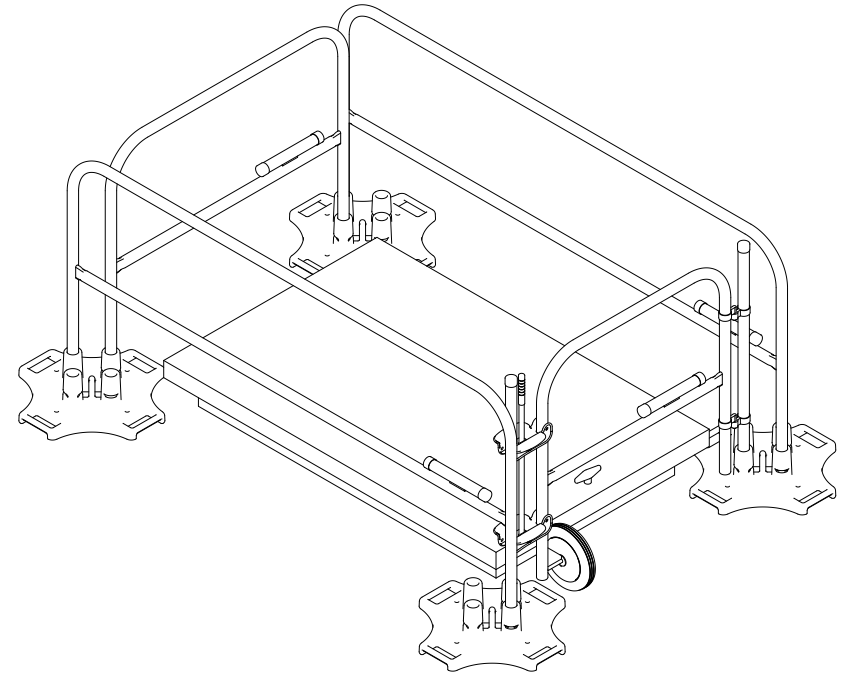
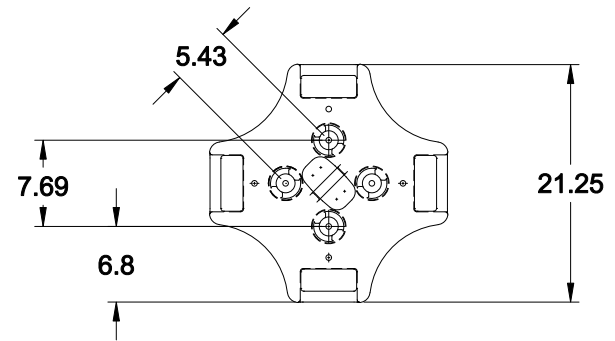


**TOP VIEW**



**SIDE VIEW**



**BASE DETAIL**

KIT WILL FIT THE FOLLOWING  
STAIRWAY HATCHES:

36 X 60  
42 X 72

**BlueWater Mfg.**

P.O.Box 203  
7914 Kerber Blvd.  
Chanhassen, MN 55317

Tel: 952-926-0515  
Toll Free: 866-898-5237  
Fax: 952-926-0518  
info@bluewater-mfg.com  
www.safetyrail2000.com

**Stairway Hatch  
Safety Rail Kit**

Dwg No.	Rev.	Sheet
500049	B	1/1