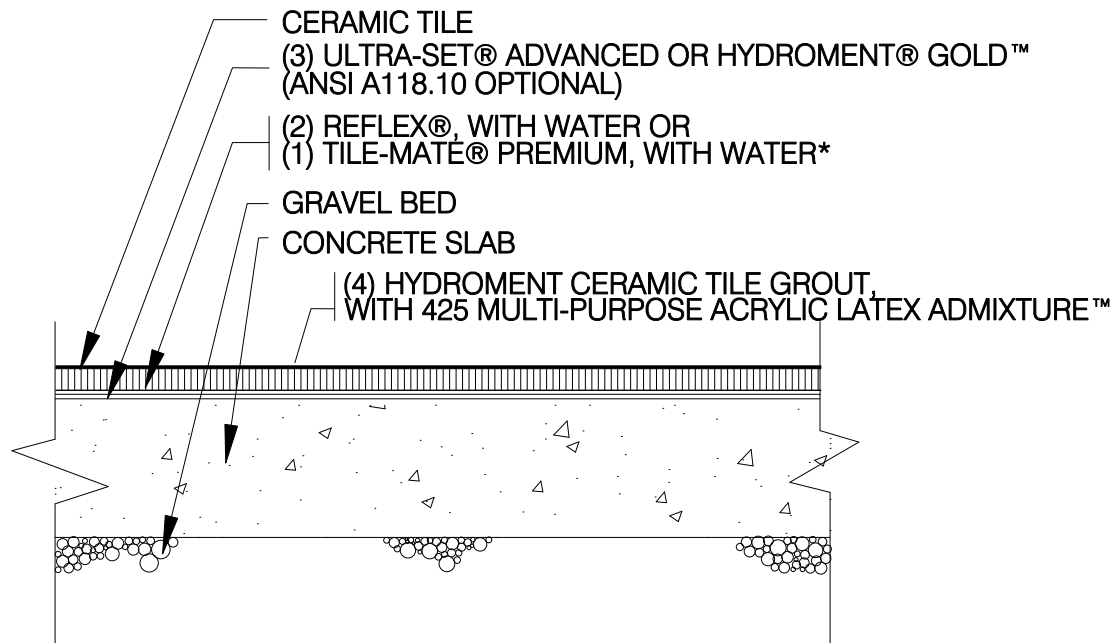


FLOORS, EXTERIOR Patios and Walkways

Dry-Set Mortar (1) or
Latex-Portland Cement Mortar (2)

HYD-F102-05



(4) Hydroment® Grout Options:

Hydroment Ceramic Tile Grout (sanded), with 425 Multi-Purpose Acrylic Latex Admixture™
Hydroment Ceramic Tile Grout (sanded), with water
Hydroment Ceramic Tile Grout (sanded), with 1900™ Modified Epoxy Admixture
Hydroment Dry Tile Grout (unsanded), with 425 Multi-Purpose Acrylic Latex Admixture
Hydroment Dry Tile Grout (unsanded), with water

(3) Hydroment Waterproof Membrane Options:

Ultra-Set® Advanced
Hydroment Gold™
Black-Top 90210™

(2) Hydroment Latex Portland Cement Mortar Options:

ReFlex®, with water
Single-Flex FS™, with 425 Multi-Purpose Acrylic Latex Admixture
Single-Flex FS, with water
Single-Flex™, with water
Big Tile & Stone™ Mortar, with water
Hydroment PM™, with water
Tile-Mate® Premium, with 447 Flex-A-Lastic® Admixture
Tile-Mate Premium, with 425 Multi-Purpose Acrylic Latex Admixture
Tile-Mate Floor & Wall, with 447 Flex-A-Lastic Admixture
Tile-Mate Floor & Wall, with 425 Multi-Purpose Acrylic Latex Admixture

(1) Hydroment Dry-Set Mortar Options*:

Tile-Mate Premium, with water
Tile-Mate Floor & Wall, with water
(*Dry Set Mortar is not suitable for bonding to ANSI A118.10 Membrane.
Use Latex Portland Cement Mortar.)