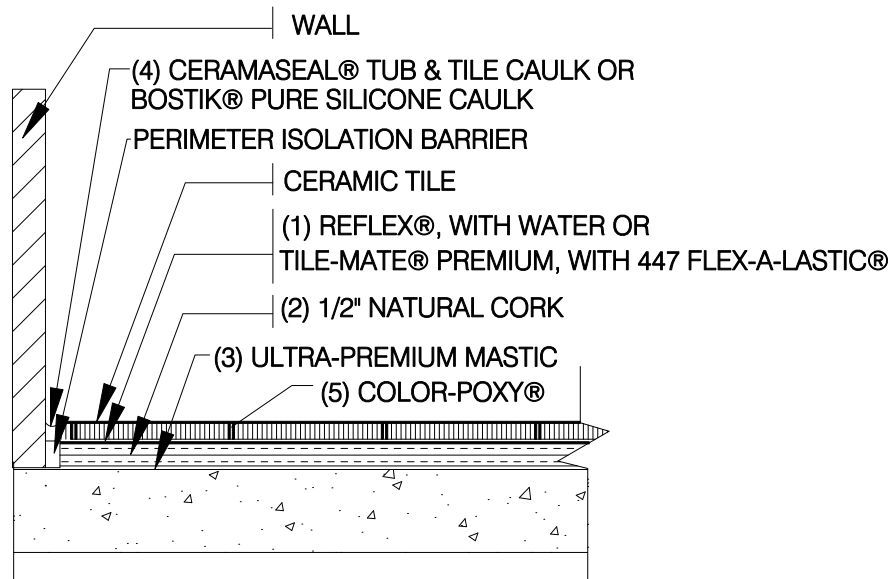
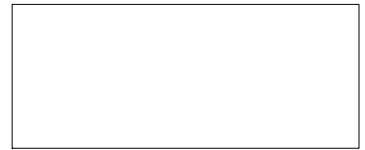


FLOORS, INTERIOR

Cork Underlayment on Concrete

Latex-Portland Cement Mortar (1)
with Epoxy Grout (5)

HYD-F135-05



(5) Hydroment® Epoxy Grout Options:
Color-Poxy

(4) Hydroment Sealant Options:
Bostik® Pure Silicone Caulk
CeramaSeal® Tub & Tile Caulk

(3) Hydroment Adhesive Options:
Ultra-Premium Mastic
Multi-Purpose Mastic
Professional Grade Mastic

(2) Cork Underlayment Options:
1/2" Natural Cork Underlayment
1/4" Natural Cork Underlayment

(1) Hydroment Latex Portland Cement Mortar Options:
ReFlex®, with water
Single-Flex FS™, with 425 Multi-Purpose Acrylic Latex Admixture
Single-Flex FS, with water
Single-Flex™, with water
Big Tile & Stone™ Mortar, with water
Hydroment PM™, with water
Tile-Mate® Premium, with 447 Flex-A-Lastic® Admixture
Tile-Mate Premium, with 425 Multi-Purpose Acrylic Latex Admixture
Tile-Mate Floor & Wall, with 447 Flex-A-Lastic Admixture
Tile-Mate Floor & Wall, with 425 Multi-Purpose Acrylic Latex Admixture