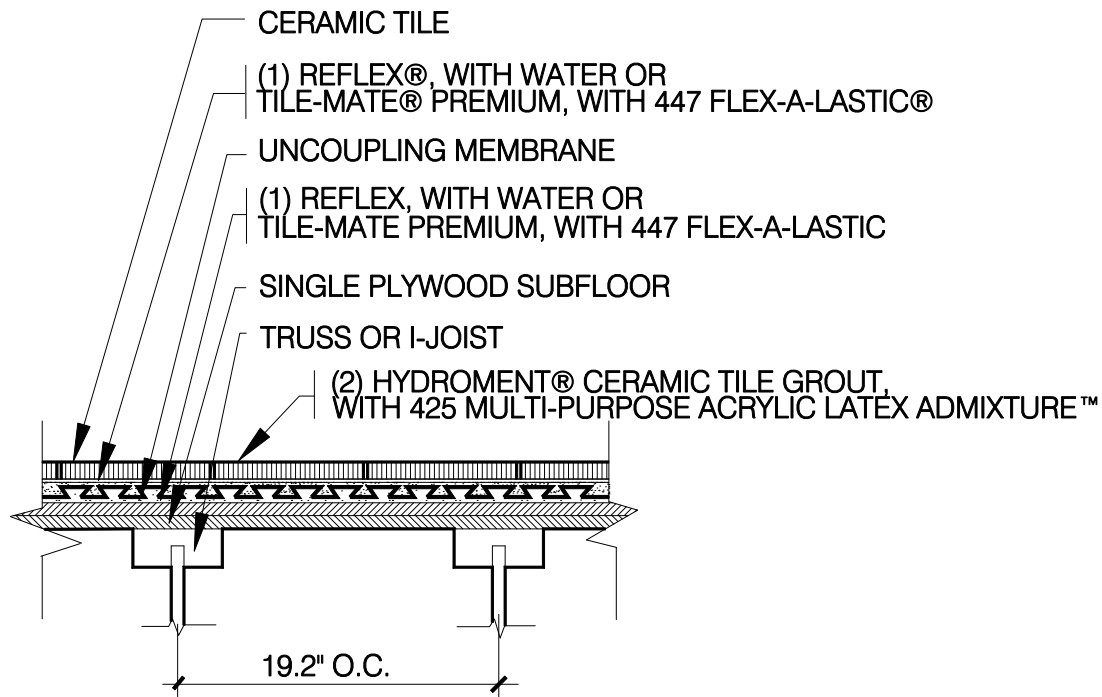
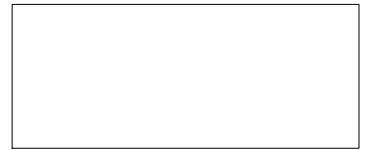


FLOORS, INTERIOR

Wood Subfloor

with 19.2" o.c. Joist Spacing,
with Proprietary Uncoupling Membrane
Latex-Portland Cement Mortar (1)

HYD-F148-05



(2) Hydroment® Grout Options:

- Hydroment Ceramic Tile Grout (sanded), with 425 Multi-Purpose Acrylic Latex Admixture™
- Hydroment Ceramic Tile Grout (sanded), with 1900™ Modified Epoxy Admixture
- Hydroment Dry Tile Grout (unsanded), with 425 Multi-Purpose Acrylic Latex Admixture

(1) Hydroment Latex Portland Cement Mortar Options:

- ReFlex®, with water
- Single-Flex FS™, with 425 Multi-Purpose Acrylic Latex Admixture
- Single-Flex FS, with water
- Single-Flex™, with water
- Big Tile & Stone™ Mortar, with water
- Hydroment PM™, with water
- Tile-Mate® Premium, with 447 Flex-A-Lastic® Admixture
- Tile-Mate Premium, with 425 Multi-Purpose Acrylic Latex Admixture
- Tile-Mate Floor & Wall, with 447 Flex-A-Lastic Admixture
- Tile-Mate Floor & Wall, with 425 Multi-Purpose Acrylic Latex Admixture