

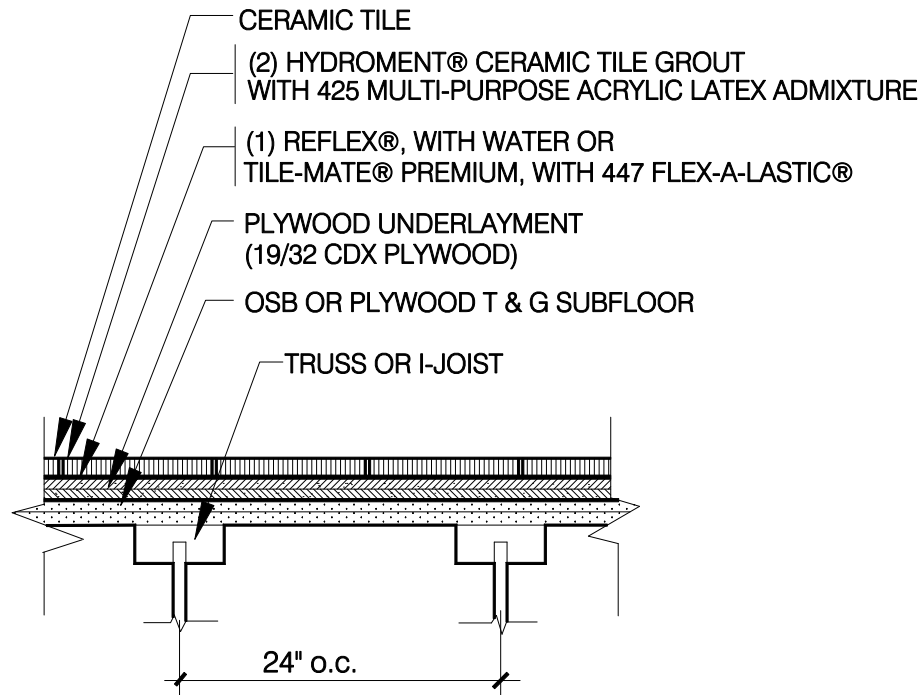
# FLOORS, INTERIOR

## OSB Subfloor, 24"o.c. Joist Spacing

EGP (Exterior Glue Plywood)

Latex-Portland Cement Mortar (1)

HYD-F155-05



### (2) Hydroment® Grout Options:

Hydroment Ceramic Tile Grout (sanded), with 425 Multi-Purpose Acrylic Latex Admixture™

Hydroment Ceramic Tile Grout (sanded), with 1900™ Modified Epoxy Admixture

Hydroment Dry Tile Grout (unsanded), with 425 Multi-Purpose Acrylic Latex Admixture

### (1) Hydroment Latex Portland Cement Mortar Options:

ReFlex®, with water

Single-Flex FS™, with 425 Multi-Purpose Acrylic Latex Admixture

Single-Flex FS, with water

Single-Flex™, with water

Big Tile & Stone™ Mortar, with water

Hydroment PM™, with water

Tile-Mate® Premium, with 447 Flex-A-Lastic® Admixture

Tile-Mate Premium, with 425 Multi-Purpose Acrylic Latex Admixture

Tile-Mate Floor & Wall, with 447 Flex-A-Lastic Admixture

Tile-Mate Floor & Wall, with 425 Multi-Purpose Acrylic Latex Admixture