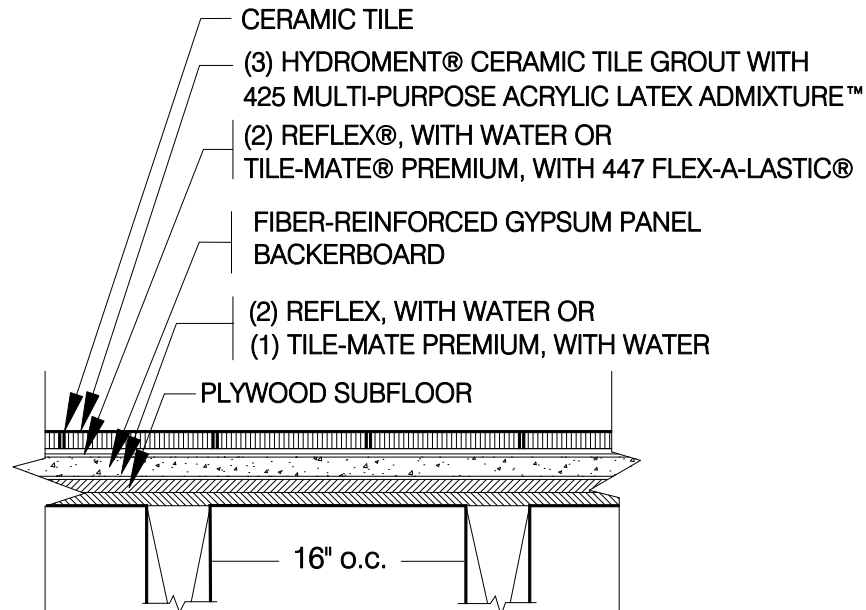


# FLOORS, INTERIOR

## Fiber-Reinforced Gypsum Panel Backer Board

### Latex-Portland Cement Mortar (2)

HYD-F170-05



#### (3) Hydroment® Grout Options:

- Hydroment Ceramic Tile Grout (sanded), with 425 Multi-Purpose Acrylic Latex Admixture™
- Hydroment Ceramic Tile Grout (sanded), with water
- Hydroment Ceramic Tile Grout (sanded), with 1900™ Modified Epoxy Admixture
- Hydroment Dry Tile Grout (unsanded), with 425 Multi-Purpose Acrylic Latex Admixture
- Hydroment Dry Tile Grout (unsanded), with water

#### (2) Hydroment Latex Portland Cement Mortar Options:

- ReFlex®, with water
- Single-Flex FS™, with 425 Multi-Purpose Acrylic Latex Admixture
- Single-Flex FS, with water
- Single-Flex™, with water
- Big Tile & Stone™ Mortar, with water
- Hydroment PM™, with water
- Tile-Mate® Premium, with 447 Flex-A-Lastic® Admixture
- Tile-Mate Premium, with 425 Multi-Purpose Acrylic Latex Admixture
- Tile-Mate Floor & Wall, with 447 Flex-A-Lastic Admixture
- Tile-Mate Floor & Wall, with 425 Multi-Purpose Acrylic Latex Admixture

#### (1) Hydroment Dry-Set Mortar Options:

- Tile-Mate Premium, with water
- Tile-Mate Floor & Wall, with water