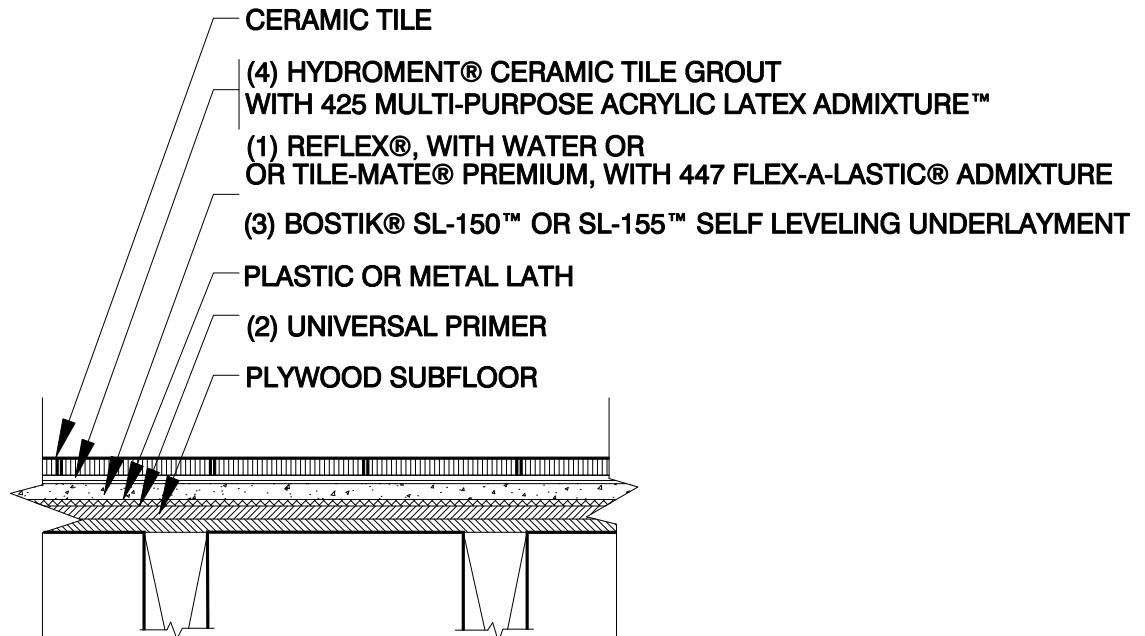


FLOORS, INTERIOR

Wood Subfloor, 19.2" O.C. Joist Spacing

HYD-F185-05

Cementitious Self-Leveling Underlayment (3)



(4) Hydroment® Grout Options:

Hydroment Ceramic Tile Grout (sanded), with 425 Multi-Purpose Acrylic Latex Admixture™
Hydroment Ceramic Tile Grout (sanded), with water
Hydroment Ceramic Tile Grout (sanded), with 1900™ Modified Epoxy Admixture
Hydroment Dry Tile Grout (unsanded), with 425 Multi-Purpose Acrylic Latex Admixture
Hydroment Dry Tile Grout (unsanded), with water

(3) Self-Leveling Underlayment Options:

Bostik® SL-150™/SL-155™ FS Self-Leveling Underlayment

(2) Primer Options:

Bostik Universal Primer

(1) Hydroment Latex Portland Cement Mortar Options:

ReFlex®, with water
Single-Flex FS™, with 425 Multi-Purpose Acrylic Latex Admixture
Single-Flex FS, with water
Single-Flex™, with water
Big Tile & Stone™ Mortar, with water
Hydroment PM™, with water
Tile-Mate® Premium, with 447 Flex-A-Lastic® Admixture
Tile-Mate Premium, with 425 Multi-Purpose Acrylic Latex Admixture
Tile-Mate Floor & Wall, with 447 Flex-A-Lastic Admixture
Tile-Mate Floor & Wall, with 425 Multi-Purpose Acrylic Latex Admixture