

QTY: \_\_\_\_\_ MODEL#: \_\_\_\_\_ FINISHED OPENING: \_\_\_\_\_

COLOR: \_\_\_\_\_

QUOTATION

ORDER

PO# \_\_\_\_\_

INDUSTRIAL DOORS WITH BUMPERS,  
SEE ATTACHMENT FOR  
RECOMMENDED OR REQUIRED  
POST LOCATIONS.

**GASKETING**

- FULLY GASKETED
- PARTIALLY GASKETED

**FASTENERS FOR**

- STEEL JAMB
- WOOD JAMB

- FRONT \_\_\_\_\_
- BACK \_\_\_\_\_
- BOTTOM \_\_\_\_\_

**SEALS**

- TOP SEAL
- EXTENDED \_\_\_\_\_ GAP
- UPPER HINGE SEAL
- LOWER HINGE SEAL

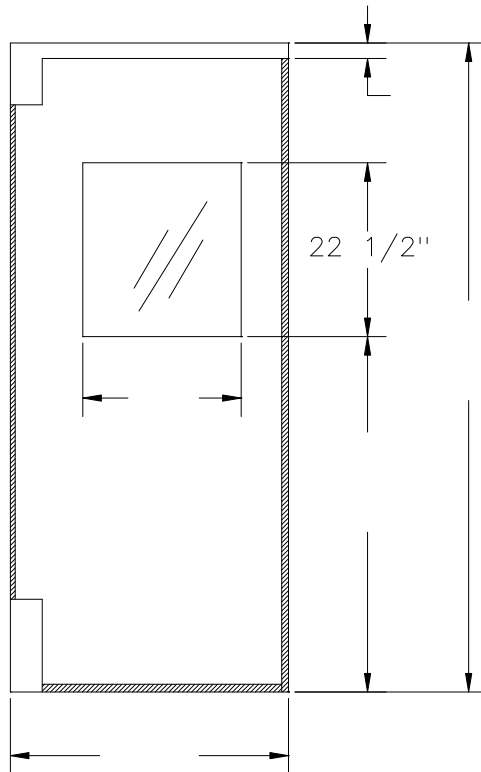
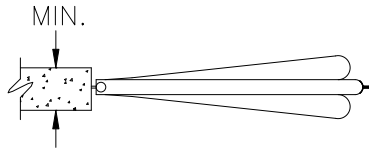
- 90° X 90° HARDWARE
- 180° X 90° HARDWARE
- SINGLE PANE WINDOW
- DOUBLE PANE WINDOW
- BUMPER \_\_\_\_\_ HIGH TEARDROP  
COLOR \_\_\_\_\_

- KICKPLATE \_\_\_\_\_ HIGH  
COLOR \_\_\_\_\_

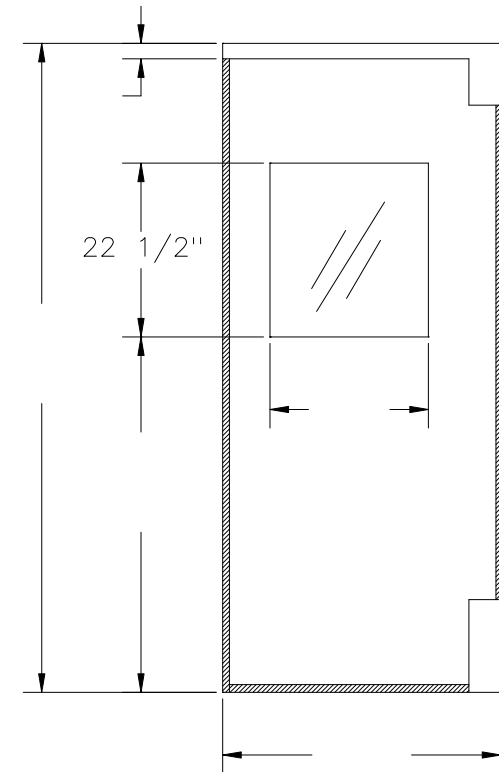
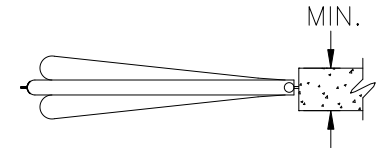
- LOWER HINGE GUARD \_\_\_\_\_
- ROTO  ALUM  ST/STEEL

- SPRING ASSIST
- LOW-RISE
- NO-RISE
- HOLD OPEN
- WELD PLATES
- LOCKING DEVICE \_\_\_\_\_
- TOP/BOTTOM CANEBOLTS

**LEFT HAND**



**RIGHT HAND**



NOTES: \_\_\_\_\_

DRAWN BY \_\_\_\_\_ DATE \_\_\_\_\_

DRAWING NAME:  
SHOP-01.DWG



**Chase Doors**  
REDMOND DIVISION  
2809 SW 13th St. PO Box 577 • Redmond, Oregon 97756  
Phone:(800)547-6856 • Fax:(800)265-0126

**DURULITE - SINGLE DOOR SHOP DRAWING**

TO: \_\_\_\_\_

JOB: \_\_\_\_\_