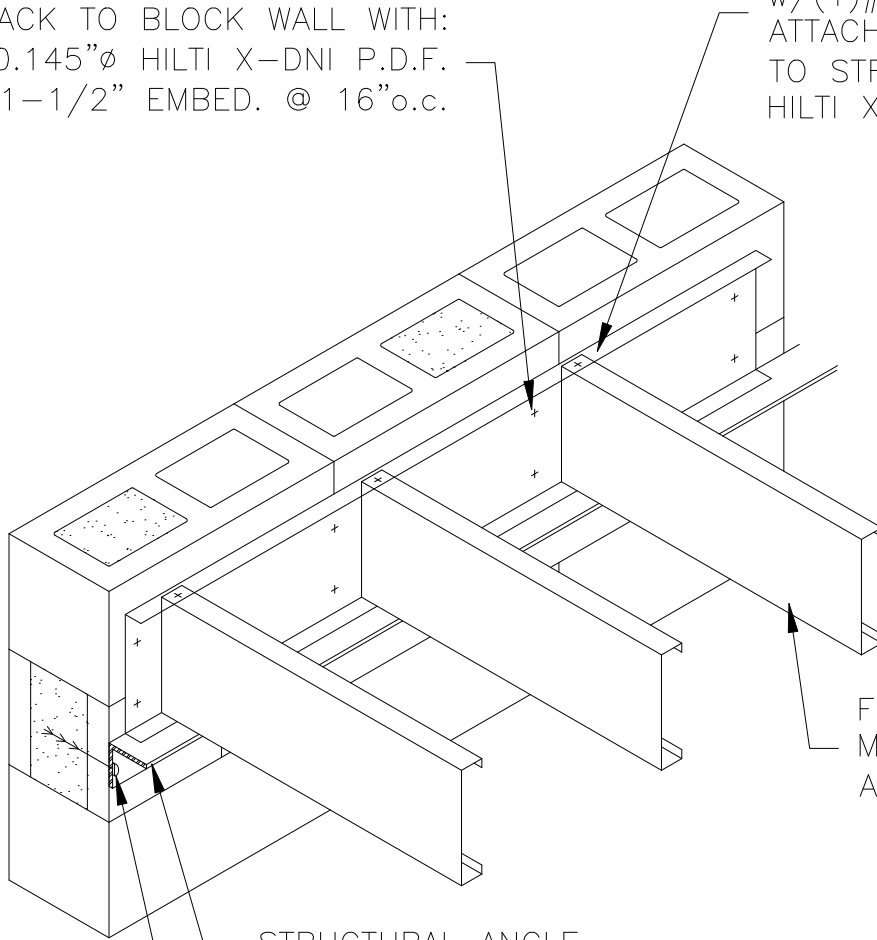


ATTACH TRACK TO BLOCK WALL WITH:  
(2)0.145"Ø HILTI X-DNI P.D.F.  
1-1/2" EMBED. @ 16"o.c.

JOIST END TRACK ATTACH  
TO JOIST TOP FLANGE  
w/(1)#10-16 SCREW.  
ATTACH BOTTOM JOIST FLANGE  
TO STRUCT. ANGLE w/(1)0.145"Ø  
HILTI X-DNI P.D.F.



FLOOR JOIST  
MEMBER SIZE & SPACING  
AS REQ'D PER DESIGN.

STRUCTURAL ANGLE.  
(BY OTHERS)

STRUCTURAL ANGLE ANCHORS  
IN GROUTED CELLS (BY OTHERS)



**CLARKWESTERN**  
DESIGN

East Coast - Atlanta, GA  
20 Mansell Court East, Suite 350B  
Roswell, GA 30076

West Coast - San Diego, CA  
2035 Corte Del Nogal, Suite 165  
Carlsbad, CA 92011

Toll Free Phone: 877-832-3206

## JOIST CONNECTION

ATTACHMENT TO STRUCTURAL ANGLE