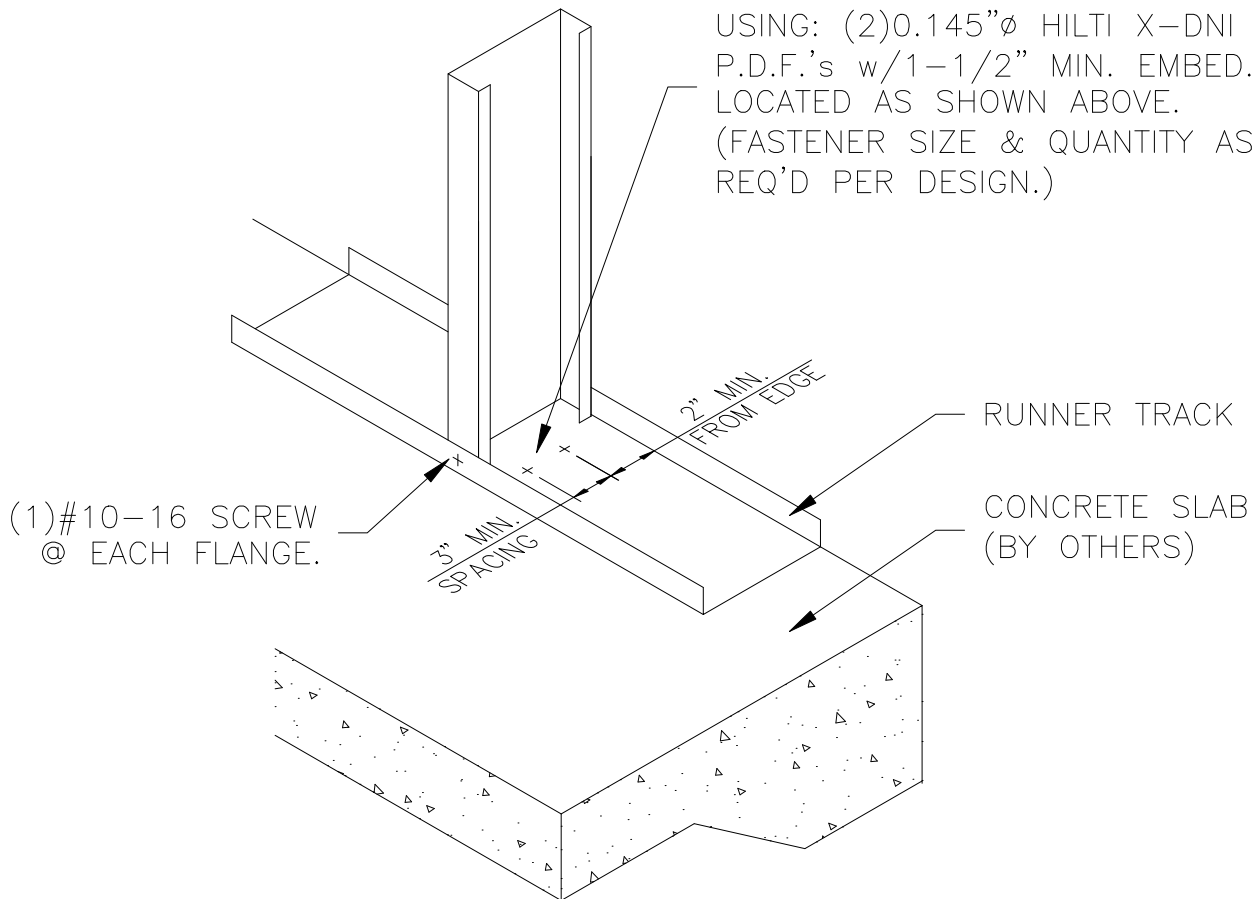


TOP VIEW

ATTACH TRACK TO SLAB
 USING: (2)0.145"Ø HILTI X-DNI
 P.D.F.'s w/1-1/2" MIN. EMBED.
 LOCATED AS SHOWN ABOVE.
 (FASTENER SIZE & QUANTITY AS
 REQ'D PER DESIGN.)



CLARKWESTERN
 DESIGN

East Coast - Atlanta, GA
 20 Mansell Court East, Suite 350B
 Roswell, GA 30076

West Coast - San Diego, CA
 2035 Corte Del Nogal, Suite 165
 Carlsbad, CA 92011

Toll Free Phone: 877-832-3206

STUD TO TRACK DETAIL

ANCHORAGE TO STRUCTURE w/(2)P.D.F.'s