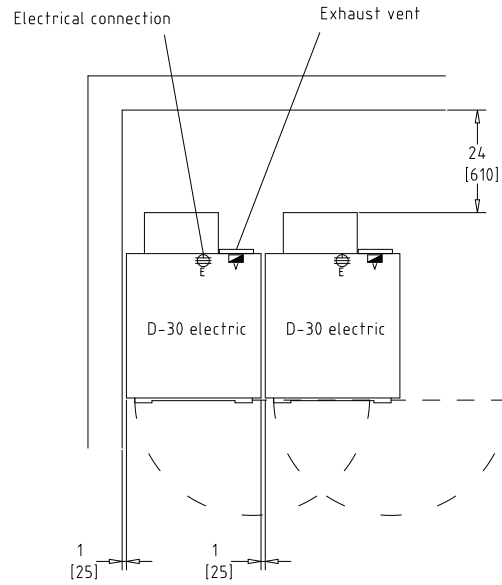
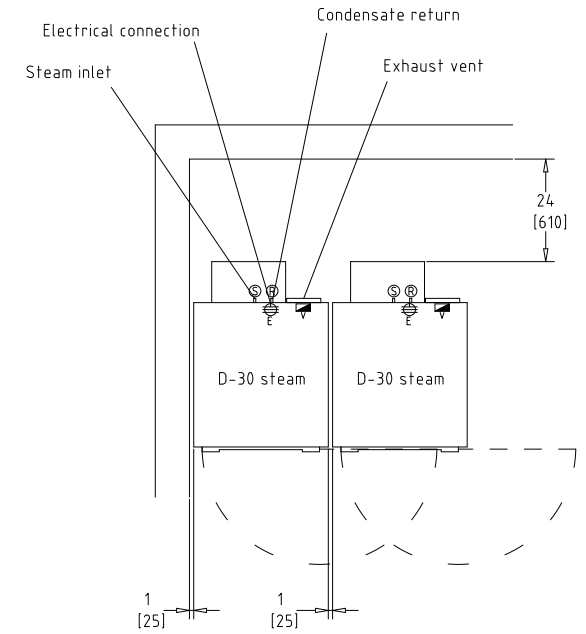


This symbol can be used for D-series 30 lb. gas








This symbol can be used for D-series 30 lb. electric



This symbol can be used for D-series 30 lb. steam

Legend of connection symbols

-  Main electrical connection
 -  Gas inlet connection
 -  Exhaust vent connection
-  Steam inlet connection (optional on washers)
 -  Steam condensate return connection

All clearances shown are minimum recommended