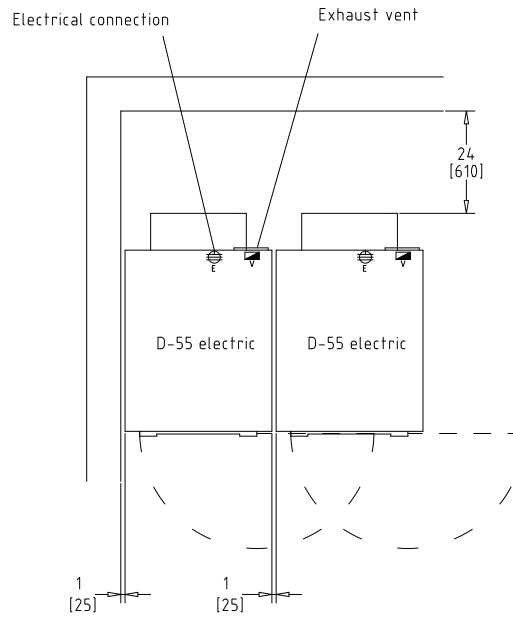
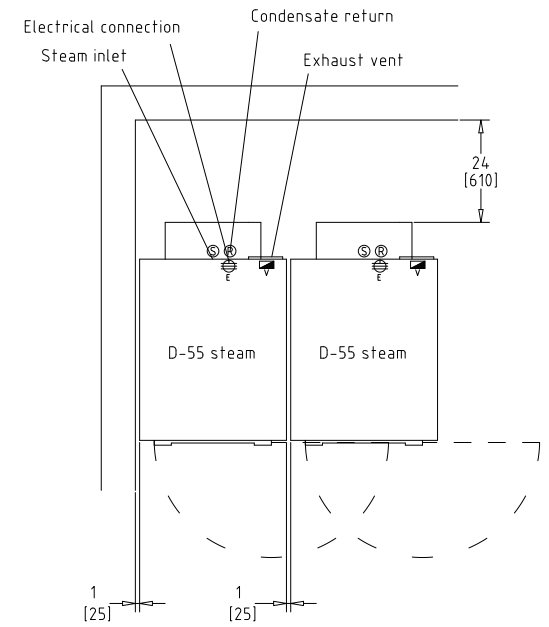


This symbol can be used for D-series 55 lb. gas



This symbol can be used for D-series 55 lb. electric



This symbol can be used for D-series 55 lb. steam

### Legend of connection symbols

 Main electrical connection

 Steam inlet connection (optional on washers)

 Gas inlet connection

 Steam condensate return connection

 Exhaust vent connection

All clearances shown are minimum recommended