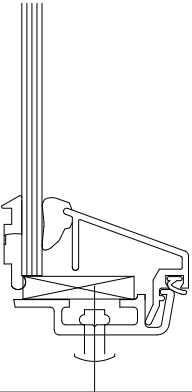
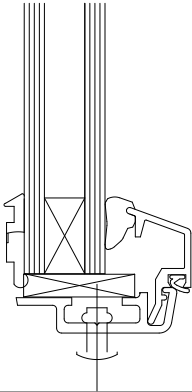
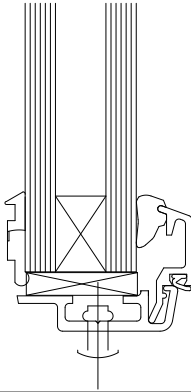
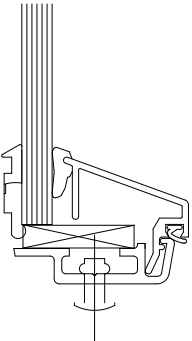
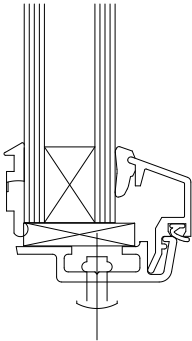
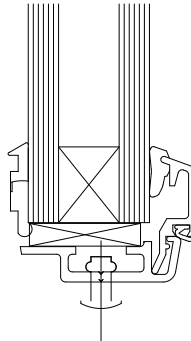
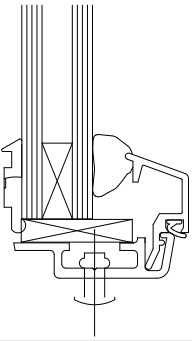
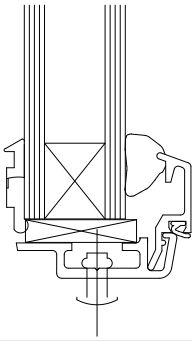
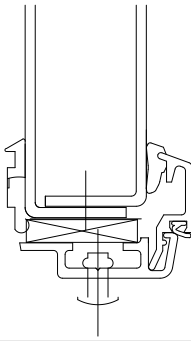


<p>4mm GLASS</p> 	<p>16mm GLASS</p> 	<p>22mm GLASS</p> 	<h1>Corporate2000 Window Range</h1> <p>Corporate2000 slimline frames allow the design of flat and unobtrusive 'minimum' coupling, with no protruding mullion or transomes, for all but the largest glazing spans. A range that has just three master sections but allows a wide selection of window types and designs.</p> <p>The system design is pressure equalised and features double weatherstripping for improved weather performance, with external rainscreen and internal airseal gaskets positively secured into grooves specially formed in the steel sections.</p>
<p>6mm GLASS</p> 	<p>18mm GLASS</p> 	<p>24mm GLASS</p> 	
<p>14mm GLASS</p> 	<p>20mm GLASS</p> 	<p>PANEL</p> 	
<p>GLAZING</p>			

ALL DETAILS SHOWN GLAZED IN

Ref: C200010G