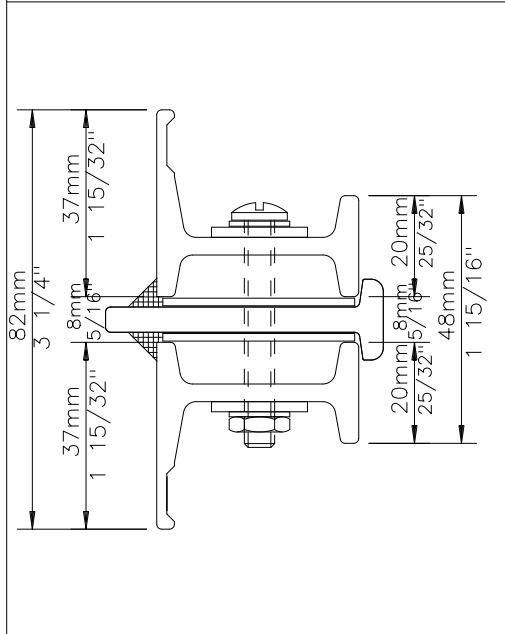
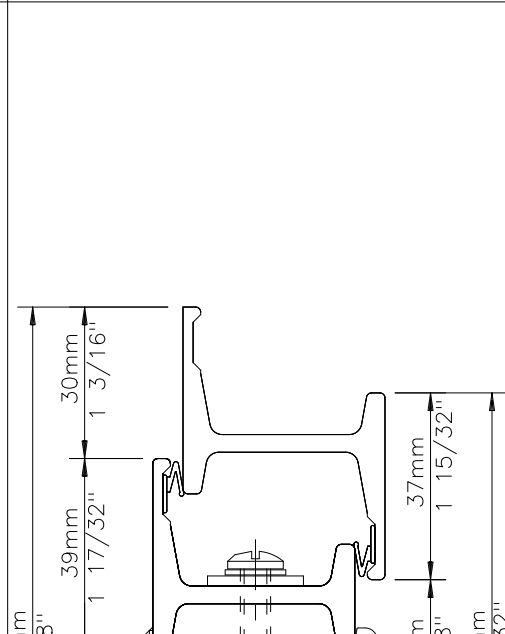


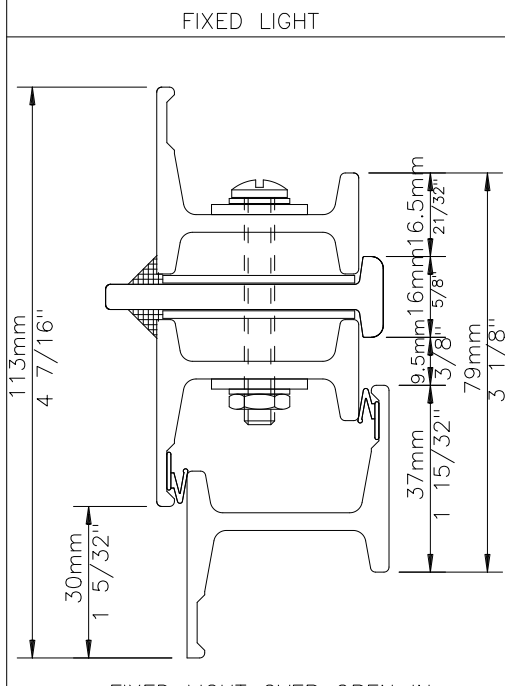
COUPLING TYPES      COUPLING TYPES      COUPLING TYPES



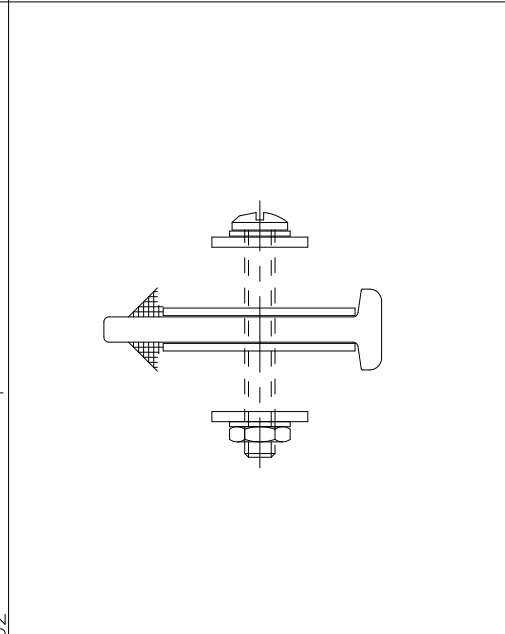
FIXED LIGHT



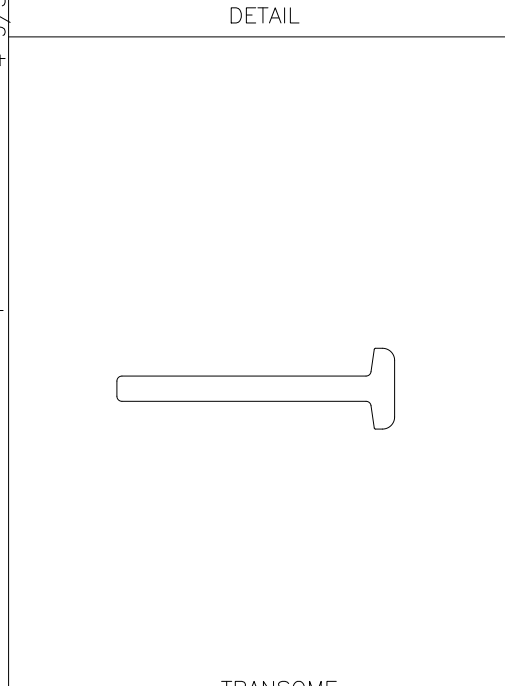
OPEN IN TO OPEN IN



FIXED LIGHT OVER OPEN IN



DETAIL



TRANSOME

# Corporate2000 Window Range

Corporate2000 slimline frames allow the design of flat and unobtrusive 'minimum' coupling, with no protruding mullion or transoms, for all but the largest glazing spans. A range that has just three master sections but allows a wide selection of window types and designs.

The system design is pressure equalised and features double weatherstripping for improved weather performance, with external rainscreen and internal airseal gaskets positively secured into grooves specially formed in the steel sections.

Ref: C20005C1

ALL DETAILS SHOWN GLAZED IN