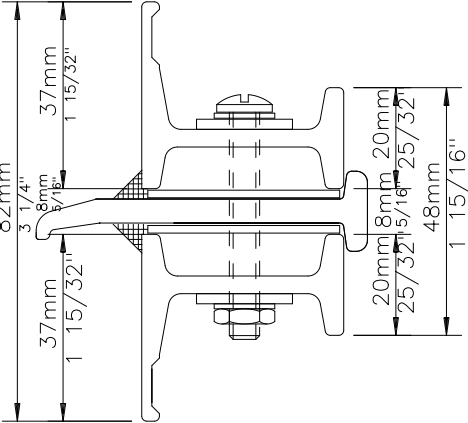
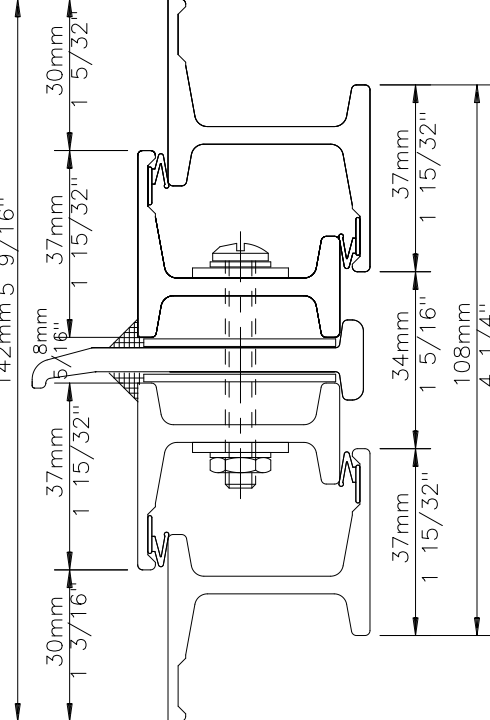
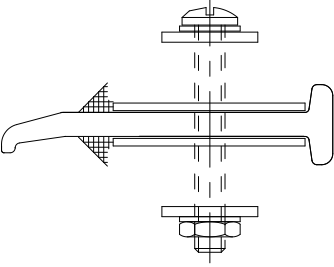
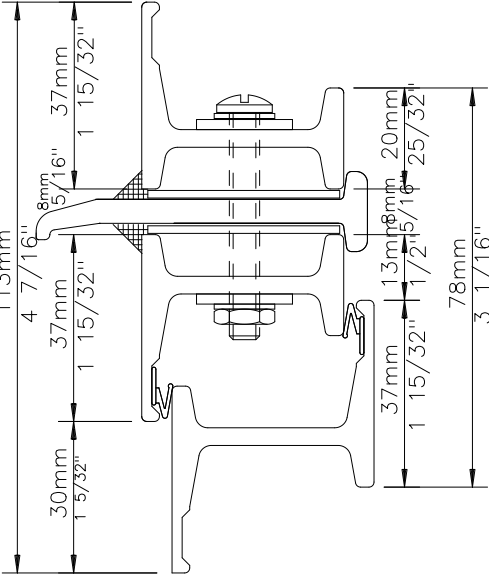
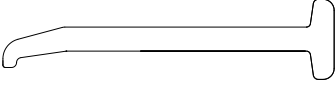


COUPLING TYPES	COUPLING TYPES	COUPLING TYPES	
 <p data-bbox="235 840 375 862">FIXED LIGHT</p>	 <p data-bbox="716 1506 965 1528">OPEN IN TO OPEN IN</p>	 <p data-bbox="1284 833 1358 855">DETAIL</p>	<h1 data-bbox="1583 170 2074 324">Corporate2000 Window Range</h1> <p data-bbox="1583 401 2118 606">Corporate2000 slimline frames allow the design of flat and unobtrusive 'minimum' coupling, with no protruding mullion or transoms, for all but the largest glazing spans. A range that has just three master sections but allows a wide selection of window types and designs.</p> <p data-bbox="1583 640 2129 802">The system design is pressure equalised and features double weatherstripping for improved weather performance, with external rainscreen and internal airseal gaskets positively secured into grooves specially formed in the steel sections.</p>
 <p data-bbox="163 1506 484 1528">FIXED LIGHT OVER OPEN IN</p>		 <p data-bbox="1284 1506 1402 1528">TRANSOME</p>	<p data-bbox="1900 1482 2074 1504">Ref: C20006C2</p>

ALL DETAILS SHOWN GLAZED IN