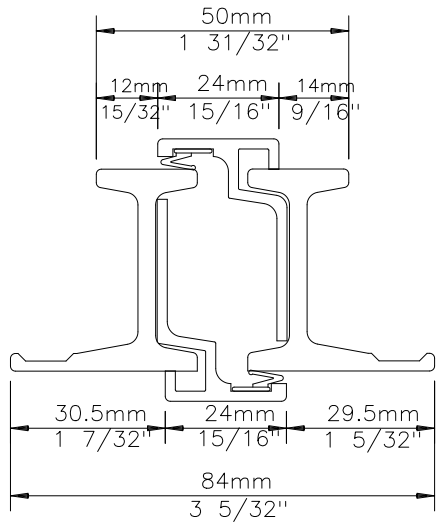
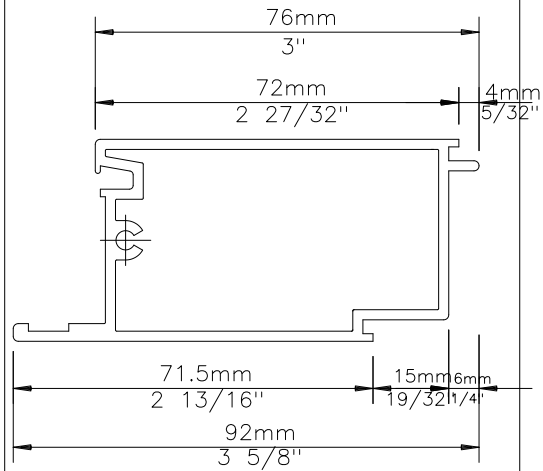


MEETING RAIL

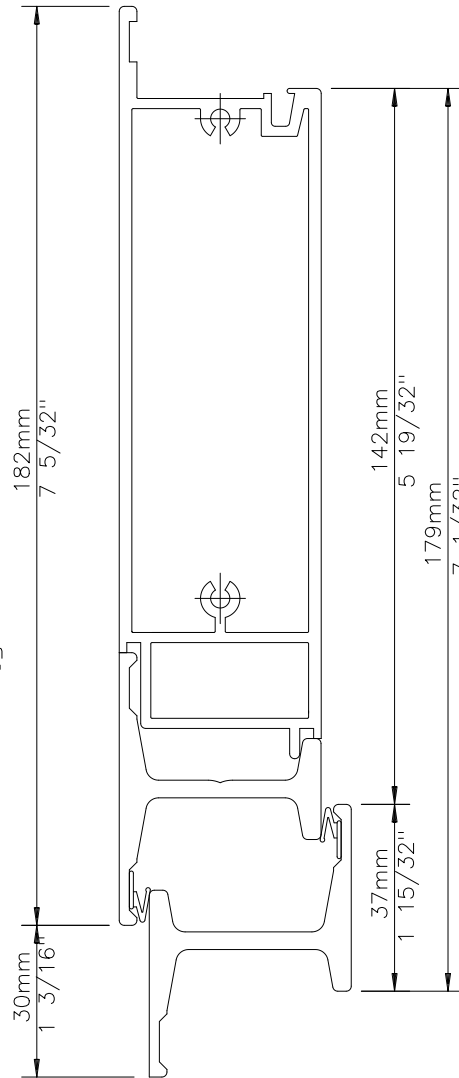


OPEN OUT



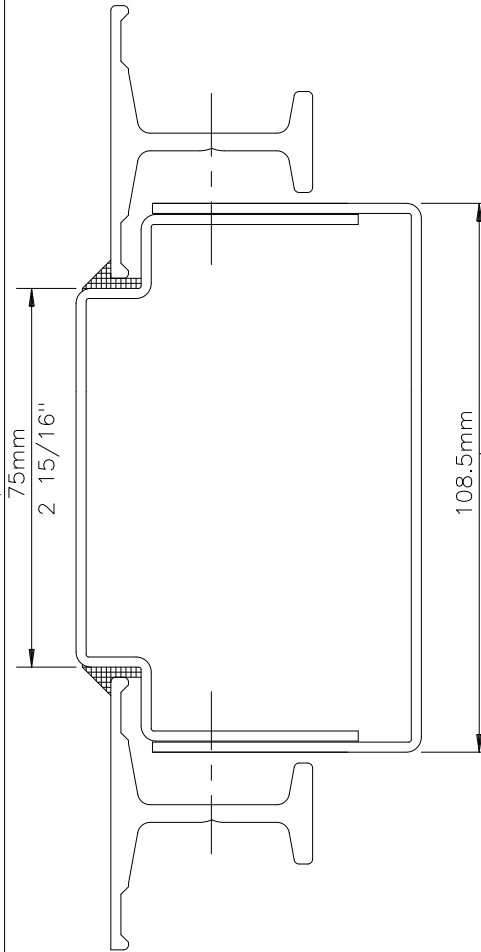
ALUMINIUM LOCK HOUSING

KICK PANEL



ALUMINIUM KICKING PANEL WITH DOOR SILL

PRESSED MULLION



PRESSED METAL TRANSOM/MULLION

Corporate2000 Window Range

Corporate2000 slimline frames allow the design of flat and unobtrusive 'minimum' coupling, with no protruding mullion or transoms, for all but the largest glazing spans. A range that has just three master sections but allows a wide selection of window types and designs.

The system design is pressure equalised and features double weatherstripping for improved weather performance, with external rainscreen and internal airseal gaskets positively secured into grooves specially formed in the steel sections.

Ref: C20008VD1