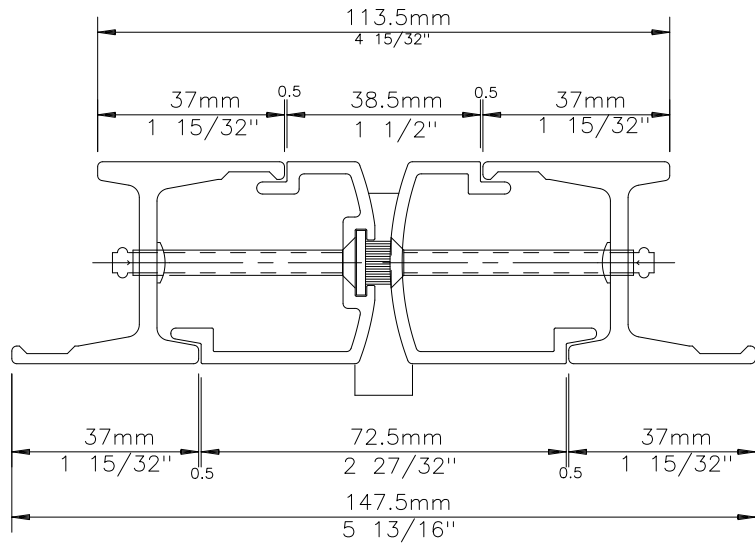
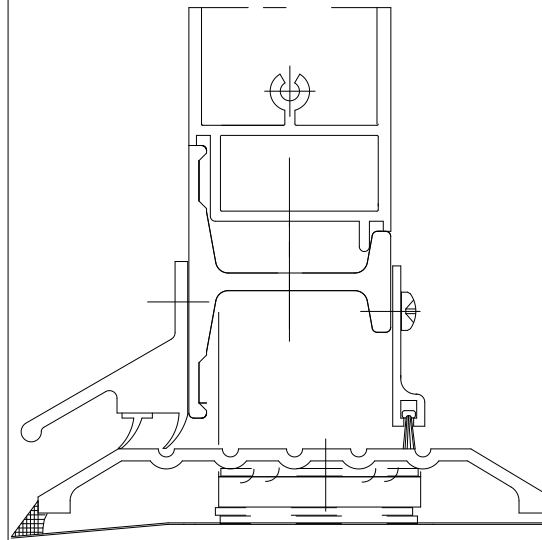


ALTERNATIVE MEETING RAIL



THRESHOLD



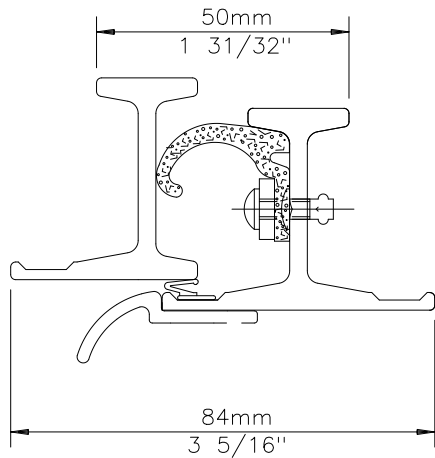
ALTERNATIVE SILL
WITH ALUM THRESHOLD

Corporate2000 Window Range

Corporate2000 slimline frames allow the design of flat and unobtrusive 'minimum' coupling, with no protruding mullion or transoms, for all but the largest glazing spans. A range that has just three master sections but allows a wide selection of window types and designs.

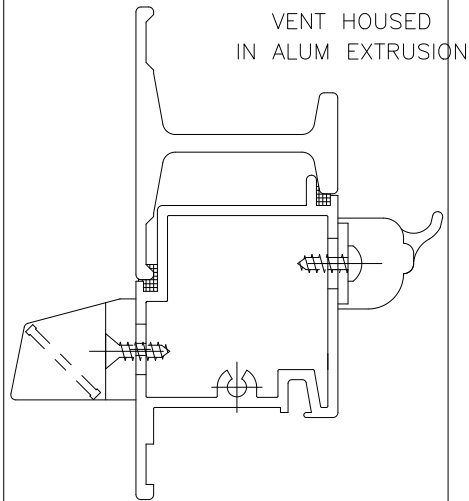
The system design is pressure equalised and features double weatherstripping for improved weather performance, with external rainscreen and internal airseal gaskets positively secured into grooves specially formed in the steel sections.

DOOR DETAIL



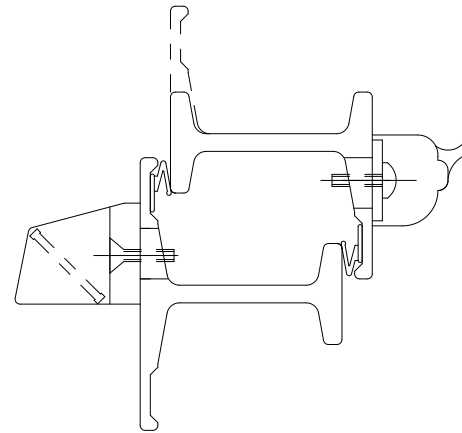
ANTI-FINGER TRAP
JAMB DETAIL

VENT DETAIL



SIMON TTF VENT
TO FIXED LIGHT

VENT DETAIL



SIMON TTF VENT
TO OPEN OUT

Ref: C20009VD2

ALL DETAILS SHOWN GLAZED IN