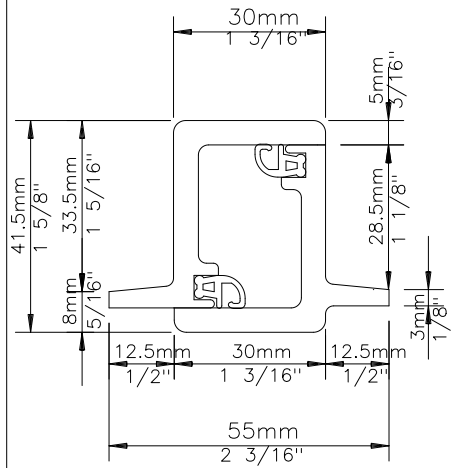


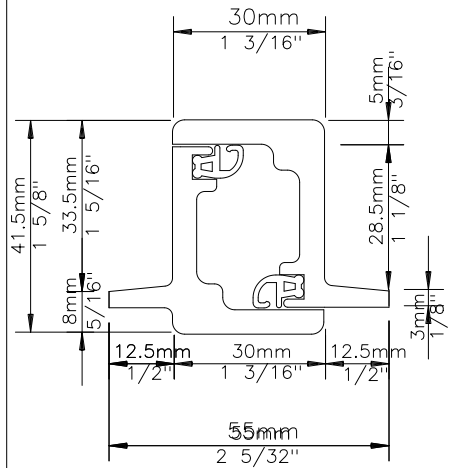
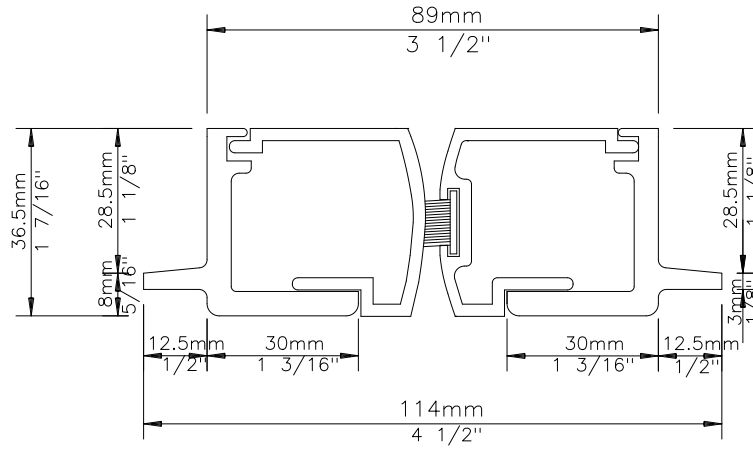
MEETING RAIL

MEETING RAIL WITH EXTRUDED ALUMINIUM

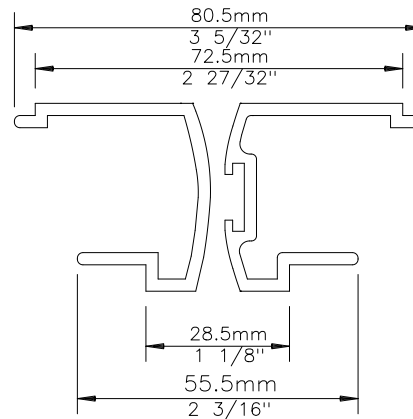
Corporate W20  
Window Range



OPEN IN



OPEN OUT



EXTRUDED ALUMINIUM SECTION

The Corporate range of windows is purpose made from W20 steel sections.

The range offers versatility in application, from size and shape, to joining to form extensive composite windows. The large opening casements and the slim frame members ensure maximum daylight.

An effective weatherstripping system and the option of double glazing up to 14mm in thickness, add good thermal insulation properties. A popular choice with conservationists, planners and clients such as English Heritage.

Ref: W205MR