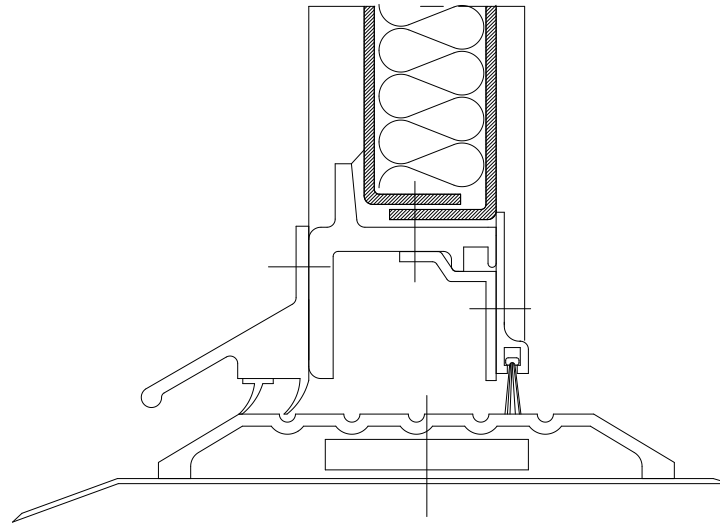
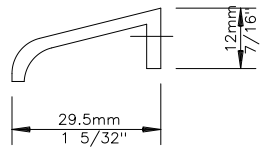


VARIOUS DEATILS

Corporate W20
Window Range

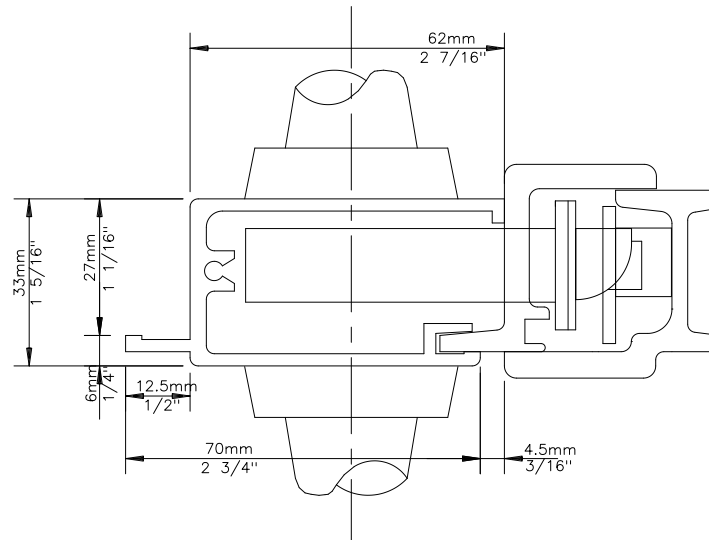
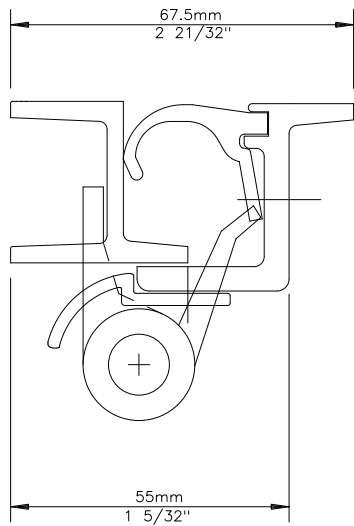
The Corporate range of windows is purpose made from W20 steel sections. The range offers versatility in application, from size and shape, to joining to form extensive composite windows. The large opening casements and the slim frame members ensure maximum daylight.

An effective weatherstripping system and the option of double glazing up to 14mm in thickness, add good thermal insulation properties. A popular choice with conservationists, planners and clients such as English Heritage.



WEATHERBAR

EXAMPLE DOOR SILL WITH ALUMINIUM THRESHOLD



ANTI-FINGER TRAP JAMB DETAIL

LOCK HOUSING DETAIL

Ref: W208VD