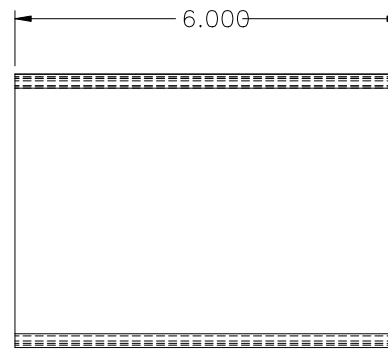
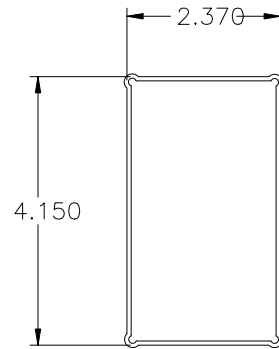
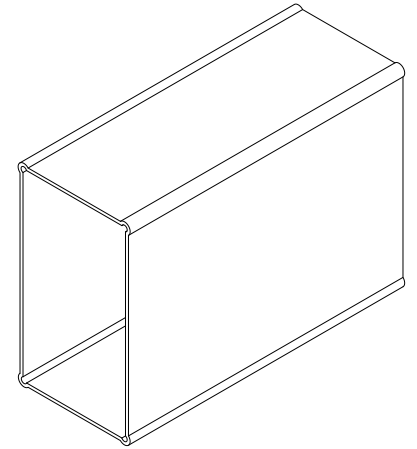


XCPL4



THIS DRAWING IS OUR PROPERTY AND ALL THE INFORMATION CONTAINED THEREON IS TO BE KEPT CONFIDENTIAL BY THE RECIPIENT AND NOT TO BE USED OR DISCLOSED TO ANY OTHER PERSON, FIRM OR CORPORATION WITHOUT OUR EXPRESS CONSENT, AND THIS DRAWING SHALL NOT BE USED DIRECTLY OR INDIRECTLY, EXCEPT IN CONNECTION WITH OUR WORK. ALL RIGHTS OF DESIGN AND INVENTION ARE RESERVED.

TOLERANCE X ± .1 XX ± .01 XXX ± .005 ANGLES ± .5° FRACTIONS ± 1/32		CERTAINTEED MOLDED PRODUCTS PART DESCRIPTION: 4" FAD COUPLING STOCK	
DIMENSIONS IN INCHES D	PART VOLUME: 5.080 in ³	DRAWING #: XCPL4	REV A
UNIGRAPHICS SOLID EDGE V15.0		SCALE: 1:1 DRAWN BY: STEFFES	DATE: 1/26/2004