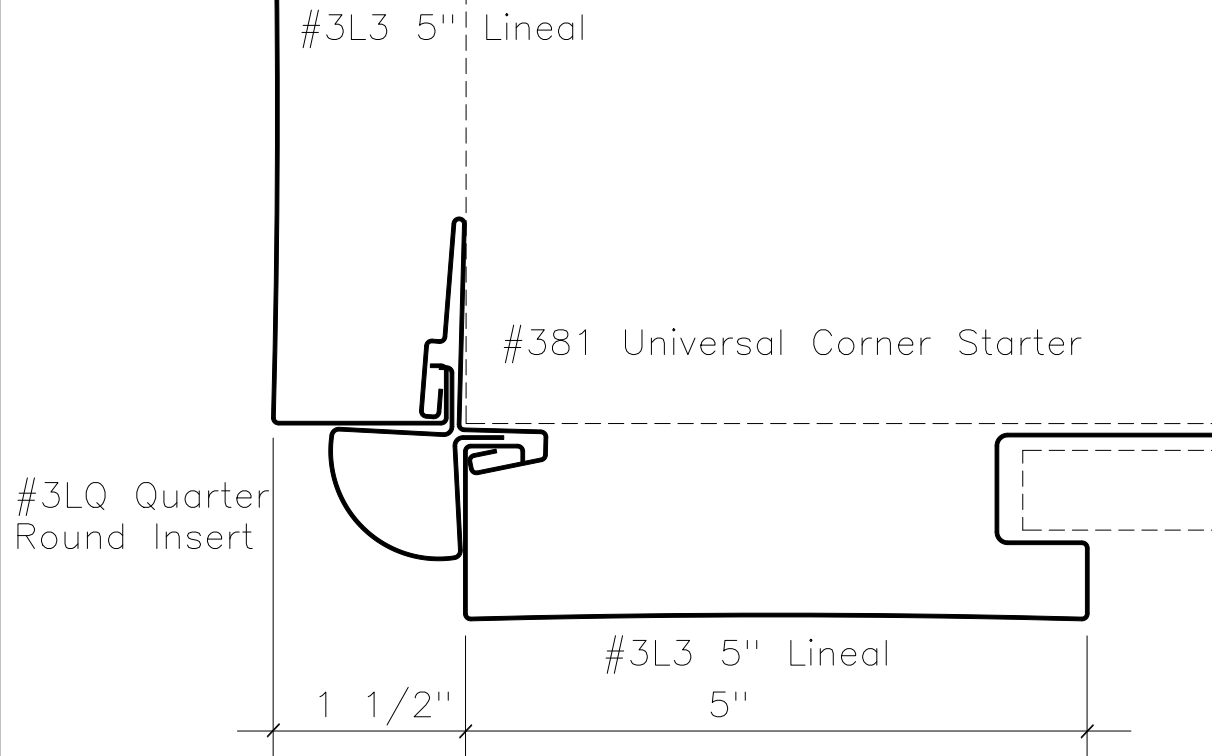


Make sure all surfaces are properly prepared and/or flashed.



FOUR PIECE CORNER SYSTEM WITH 5" LINEALS

IMPORTANT: This drawing is not intended to serve as a substitute for installation instructions set forth in the CertainTeed installation manual. Always consult the installation manual for complete instructions.

CertainTeed 

Copyright 2000 CertainTeed Corporation Valley Forge, PA