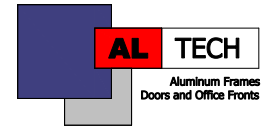
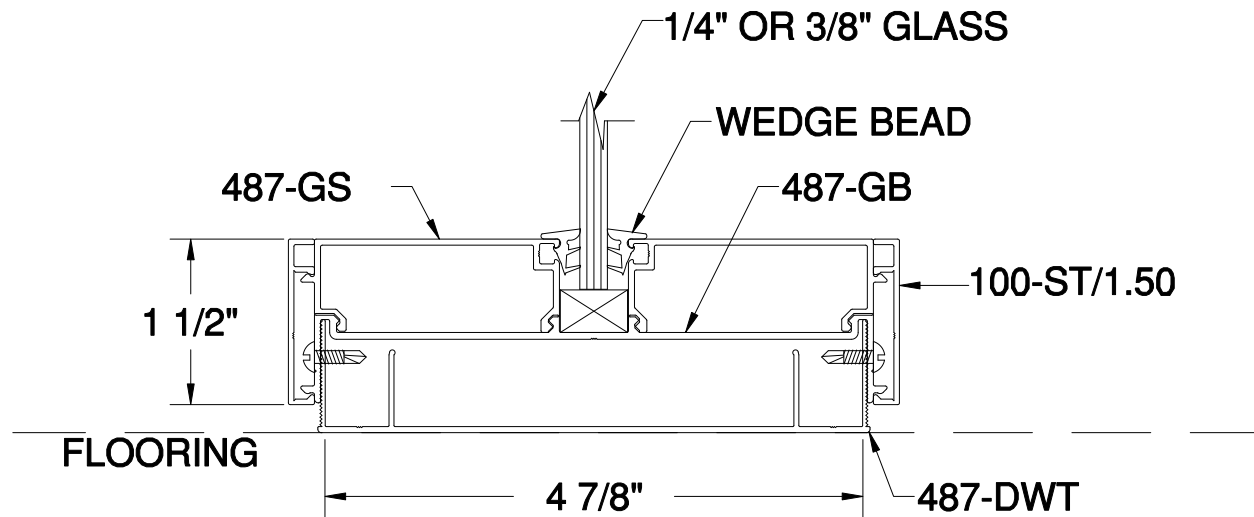


B1



SHEET NOTES
Aluminum extrusions shown are designed to accommodate a 4 7/8" wall construction.



Base condition with standard 1 1/2" flush trim