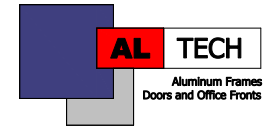
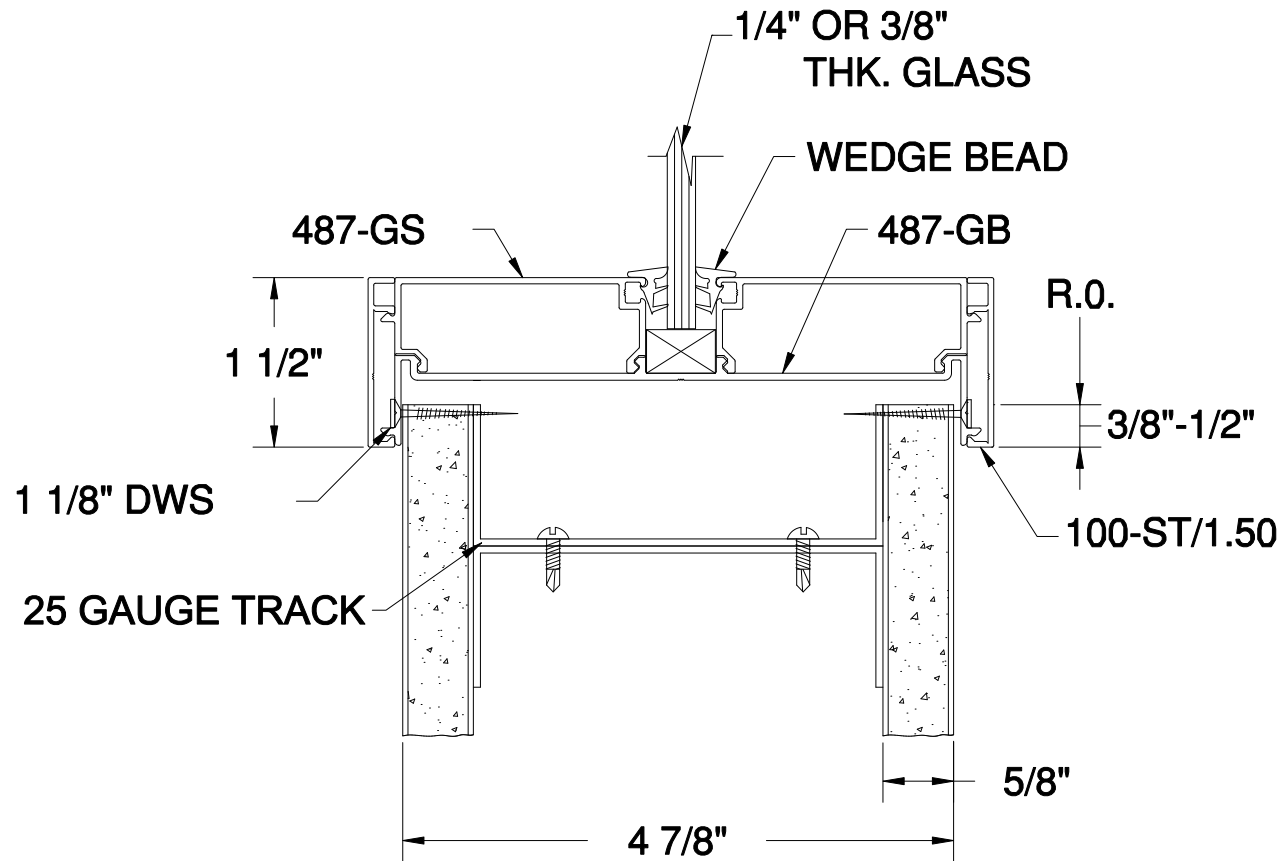


B2



**SHEET NOTES**  
Aluminum extrusions shown are designed to accommodate a 4 7/8" wall construction.



Base condition with drywall curb