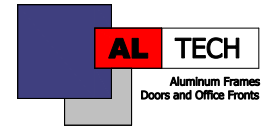
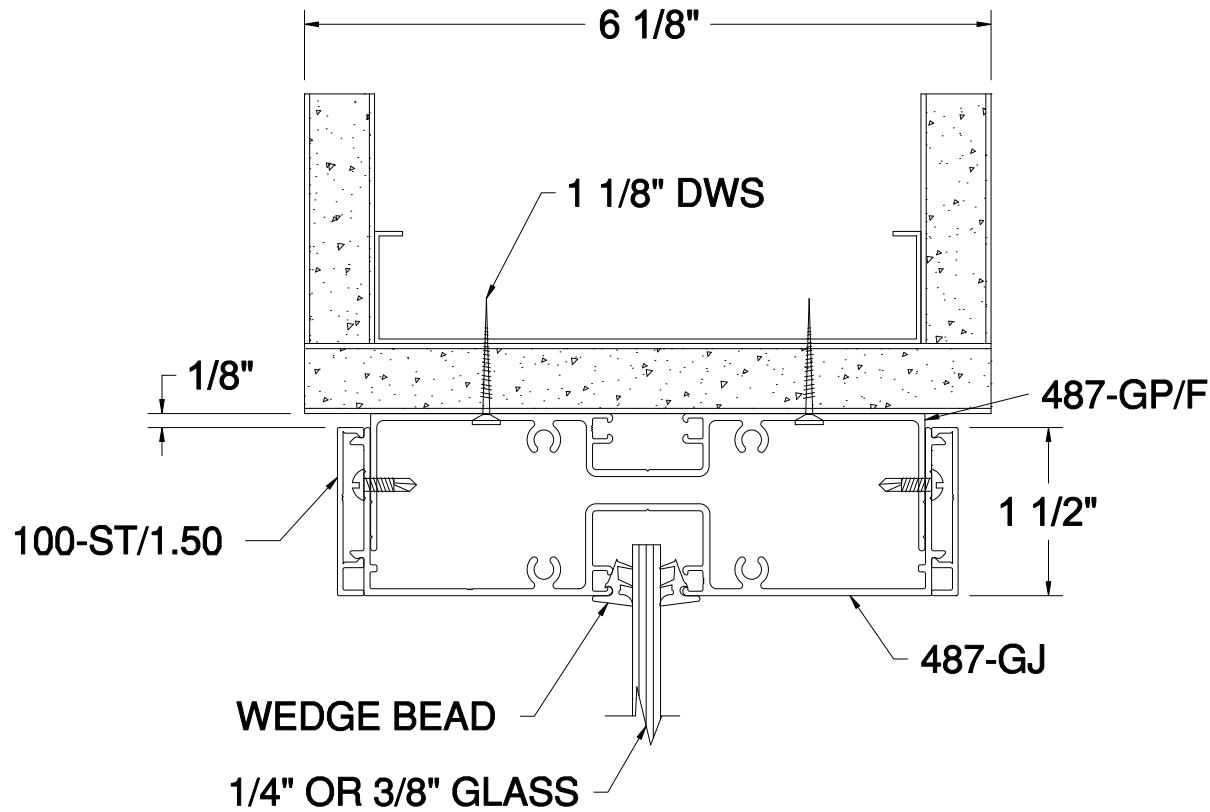


H4



SHEET NOTES
Aluminum extrusions shown are designed to accommodate a 4 7/8" wall construction.



Glass jamb (header) on setting channel