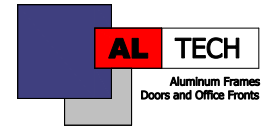
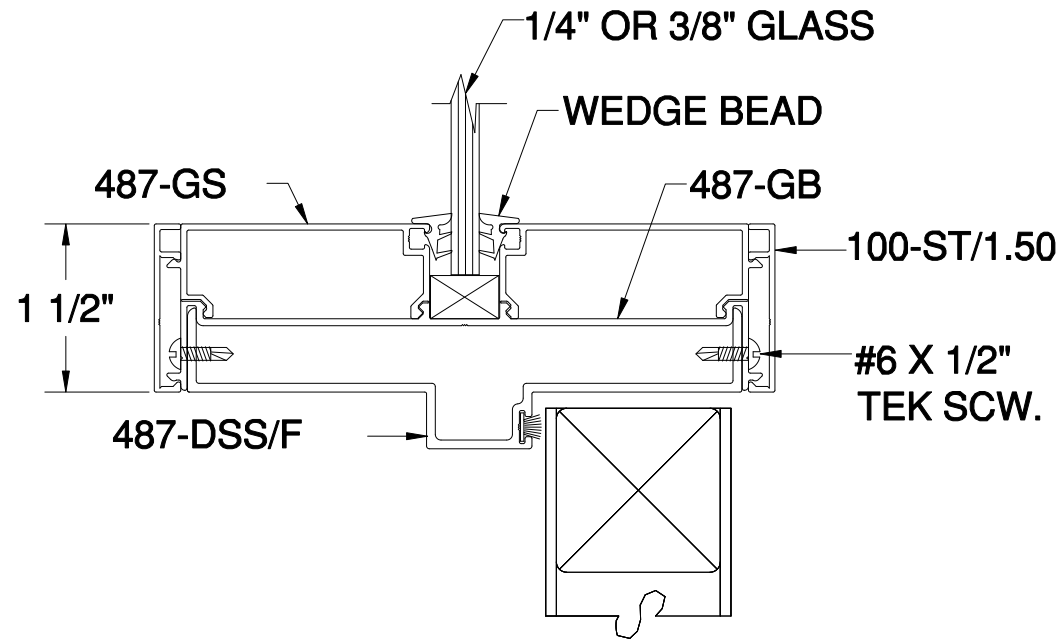


H5



**SHEET NOTES**  
Aluminum extrusions shown are designed to accommodate a 4 7/8" wall construction.



Door jamb (header) with transom