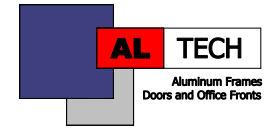
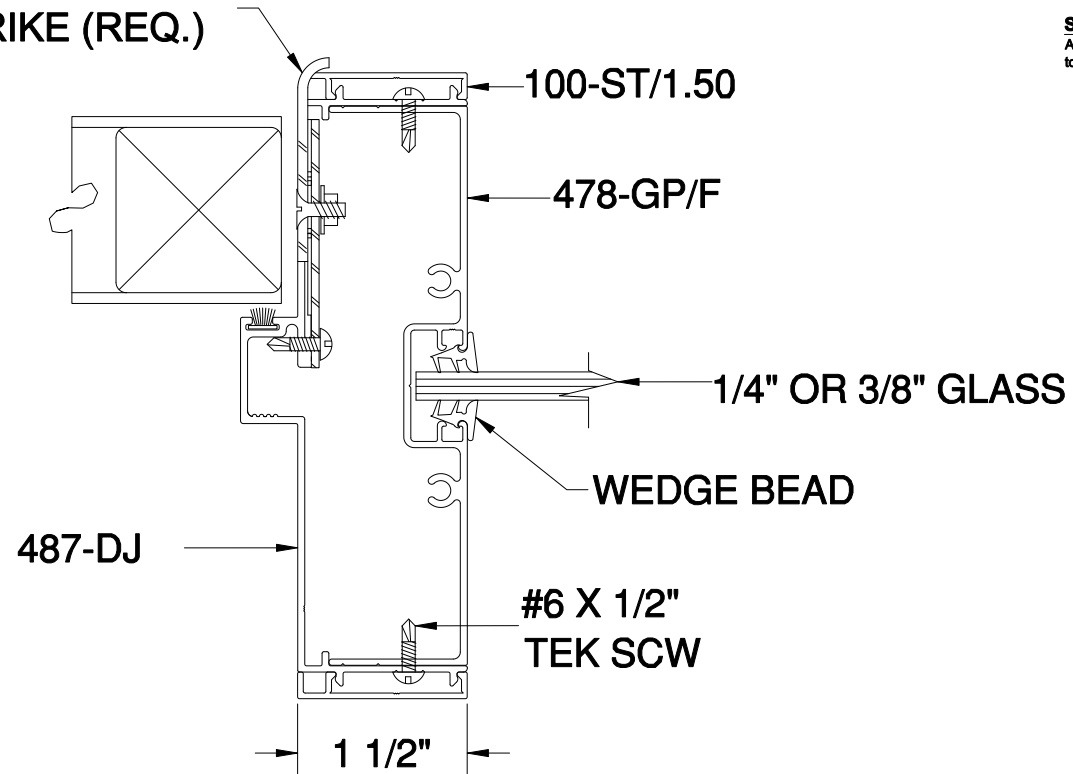


J3



EXTENDED LIP
STRIKE (REQ.)



SHEET NOTES
Aluminum extrusions shown are designed
to accommodate a 4 7/8" wall construction.

Strike jamb with sidelite