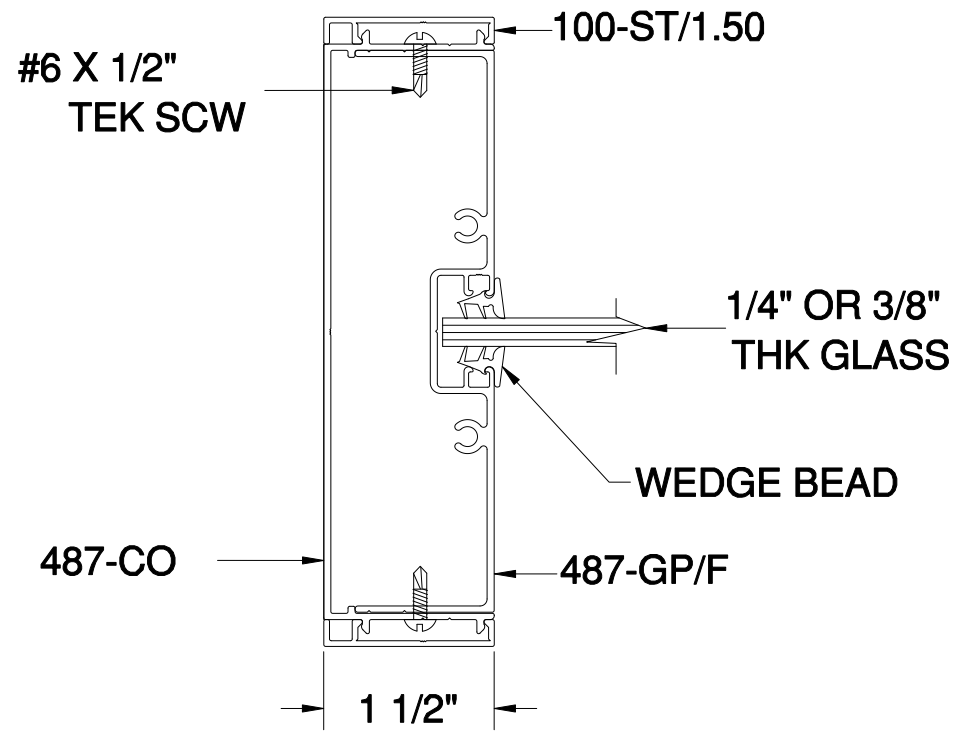
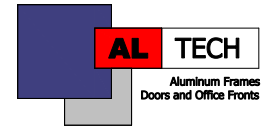


C3



SHEET NOTES
Aluminum extrusions shown are designed to accommodate a 4 7/8" wall construction.

Cased open glass jamb