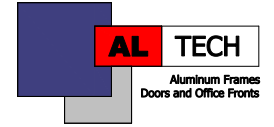
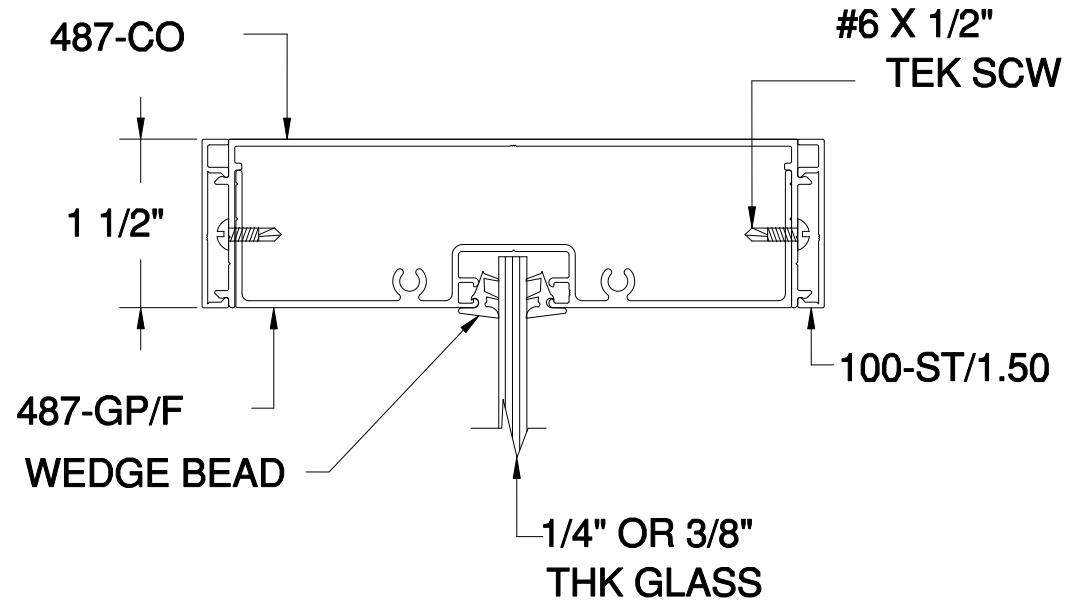


C4



SHEET NOTES
Aluminum extrusions shown are designed to accommodate a 4 7/8" wall construction.



Cased open glass jamb header open to above