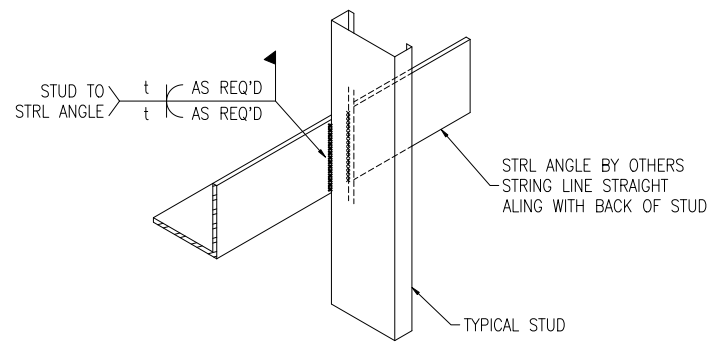


ALTERNATE A



ALTERNATE B

CONNECTION TO STRL ANGLE

To see a complete library of Dietrich CAD detail drawings,
<http://www.dietrichmetalfaming.com/precad.htm>