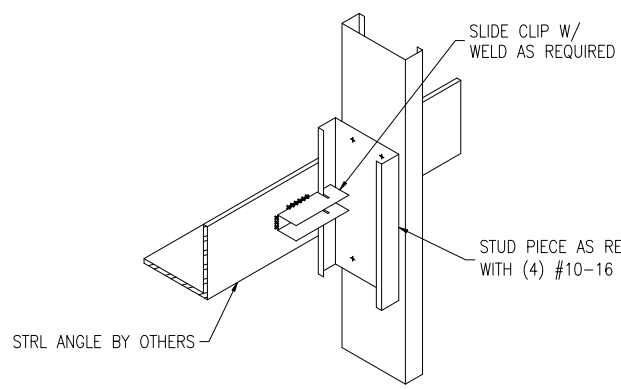
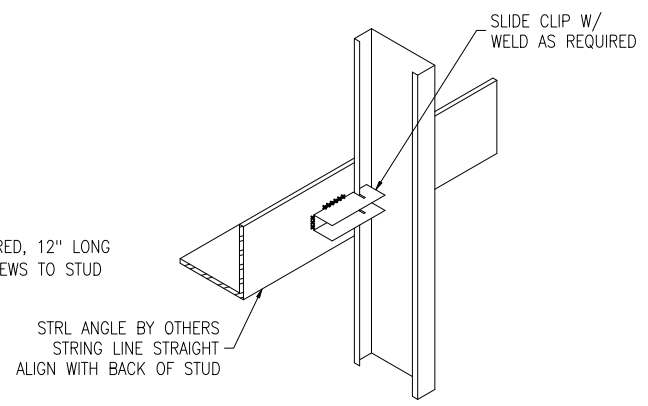


NOTES:
 1) STUD PIECE MUST BE CENTERED ABOUT SLIDE CLIP.
 2) AT DOUBLE STUDS (1) SLIDE CLIP IS REQUIRED PER STUD



ALTERNATE A



ALTERNATE B

SLIDE CLIP DETAIL

To see a complete library of Dietrich CAD detail drawings,
<http://www.dietrichmetalframing.com/precad.htm>