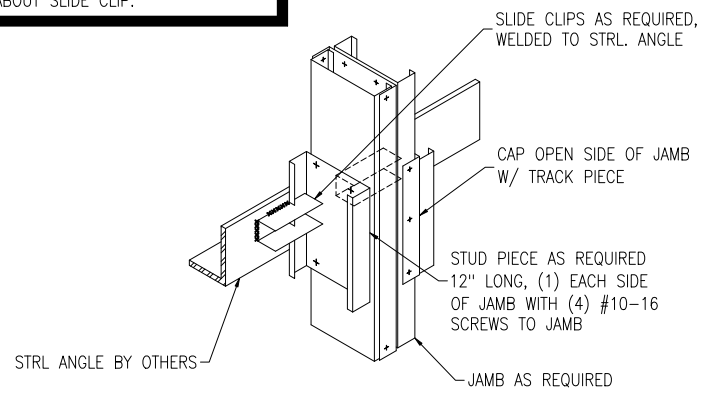


NOTE:
STUD PIECE MUST BE CENTERED
ABOUT SLIDE CLIP.



SLIDE CLIP DETAIL

To see a complete library of Dietrich CAD detail drawings,
<http://www.dietrichmetalframing.com/precad.htm>