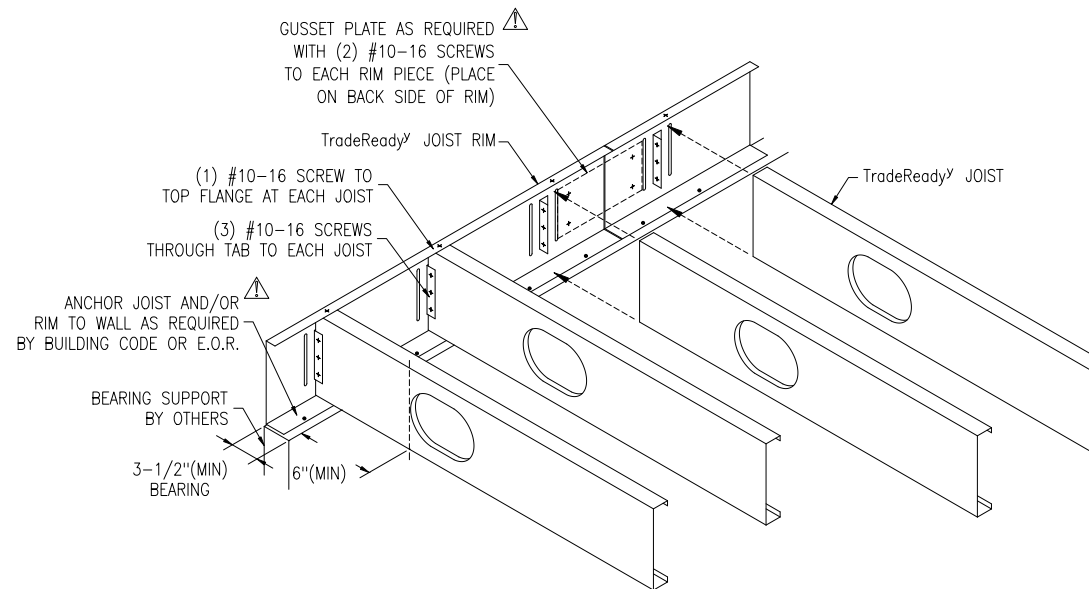


NOTE:  
LOAD BEARING WALL FRAMING ABOVE AND BELOW  
MUST ALIGN WITH JOISTS, OTHERWISE E.O.R.  
REVIEW REQUIRED TO VERIFY WALL LOAD IS  
TRANSFERRED AT JOIST LOCATIONS.

NOTE:  
CONNECTION REVIEW REQUIRED  
BY E.O.R., IF PART OF LATERAL  
LOAD RESISTING SYSTEM



### JOIST END BEARING CONDITION

To see a complete library of Dietrich CAD detail drawings,  
<http://www.dietrichmetalframing.com/precad.htm>